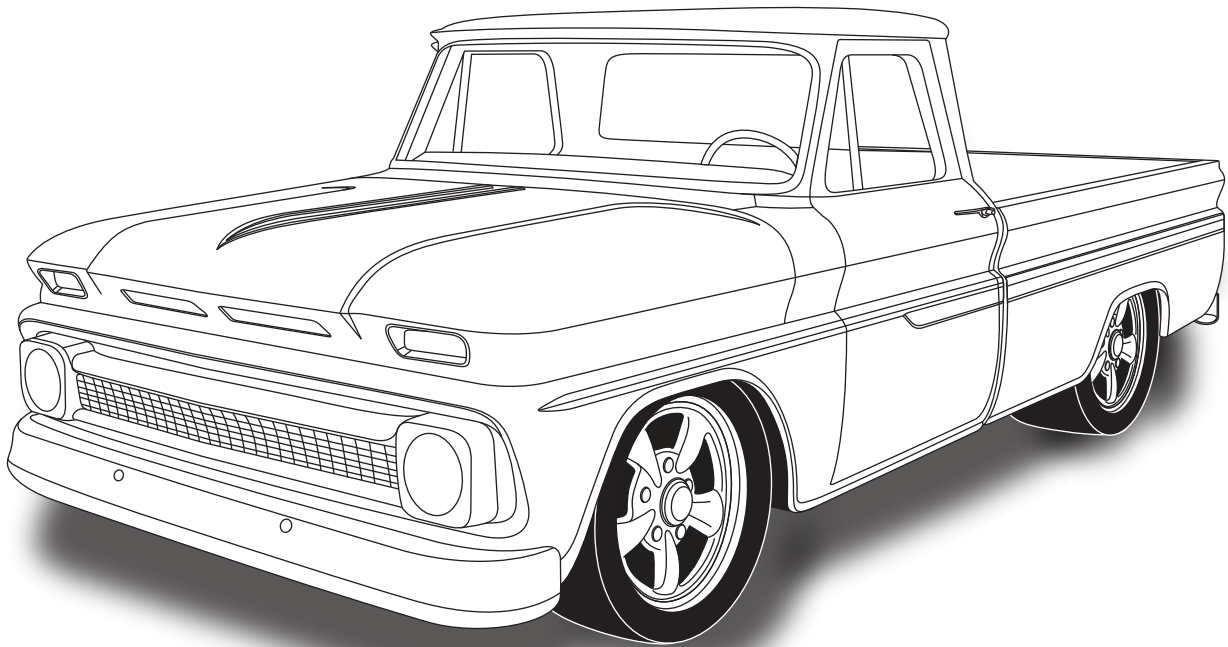




an ISO 9001:2008 Registered Company

1964-66 CHEVROLET PICKUP

WITHOUT FACTORY AIR
WITH STANDARD CONTROLS
751165



18865 GOLL ST. - SAN ANTONIO, TX. - 78266 ph.210-654-7171 - fax 210-654-3113



Table of Contents

PAGES

1. COVER
2. TABLE OF CONTENTS
3. PACKING LIST/PARTS DISCLAIMER
4. INFORMATION PAGE
5. WIRING NOTICE
6. ENGINE COMPARTMENT
FIGURE 1
7. CONDENSER ASSEMBLY, COMPRESSOR & BRACKET, PASSENGER COMPARTMENT
FIGURES 2, 2a & 2b
8. FIREWALL MODIFICATION, BRACKET & EVAPORATOR HARDLINE INSTALLATION
FIGURES 3 & 4
9. BRACKET & EVAPORATOR HARDLINE INSTALLATION CONT.
FIGURE 5
10. EVAPORATOR INSTALLATION
FIGURES 6 & 6a
11. DRAIN HOSE INSTALLATION, LUBRICATING O-RINGS, A/C HOSE INSTALLATION, &
MODIFIED A/C HOSE KIT
FIGURES 7 & 8
12. FIREWALL & OEM HEATER COVER INSTALLATION
FIGURE 9
13. HEATER HOSE & HEATER CONTROL VALVE INSTALLATION
FIGURE 10
14. A/C & HEATER HOSE ROUTING
FIGURE 11
15. DRIVER SIDE UNDER DASH LOUVER & CENTER/ PASSENGER SIDE UNDER DASH
LOUVER INSTALLATION
FIGURES 12, 12a, 13, & 13a
16. FINAL STEPS
FIGURES 14 & 14a
17. CONTROL PANEL & DUCT HOSE ROUTING
FIGURE 15
18. WIRING DIAGRAM
19. GEN IV WIRING CONNECTION INSTRUCTIONS
20. OPERATION OF CONTROLS
21. TROUBLESHOOTING INFORMATION
22. TROUBLESHOOTING INFORMATION CONT.
23. 64-66 CHEV P-UP FIREWALL TEMPLATE
24. EVAPORATOR KIT PACKING LIST



EVAPORATOR KIT PACKING LIST

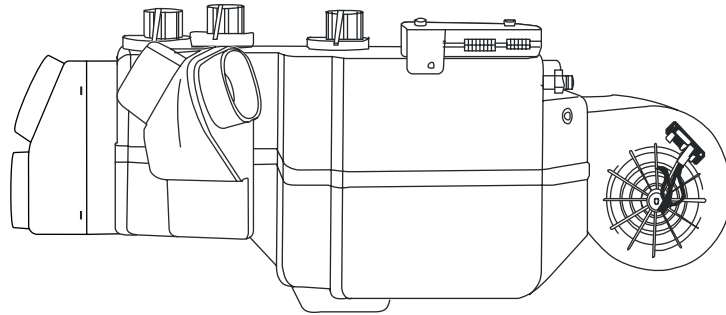
EVAPORATOR KIT
751165

NO.	QTY.	PART NO.	DESCRIPTION
1.	1	744004-VUE	GEN IV 4 VENT EVAPORATOR SUB CASE
2.	1	791165	ACCESSORY KIT

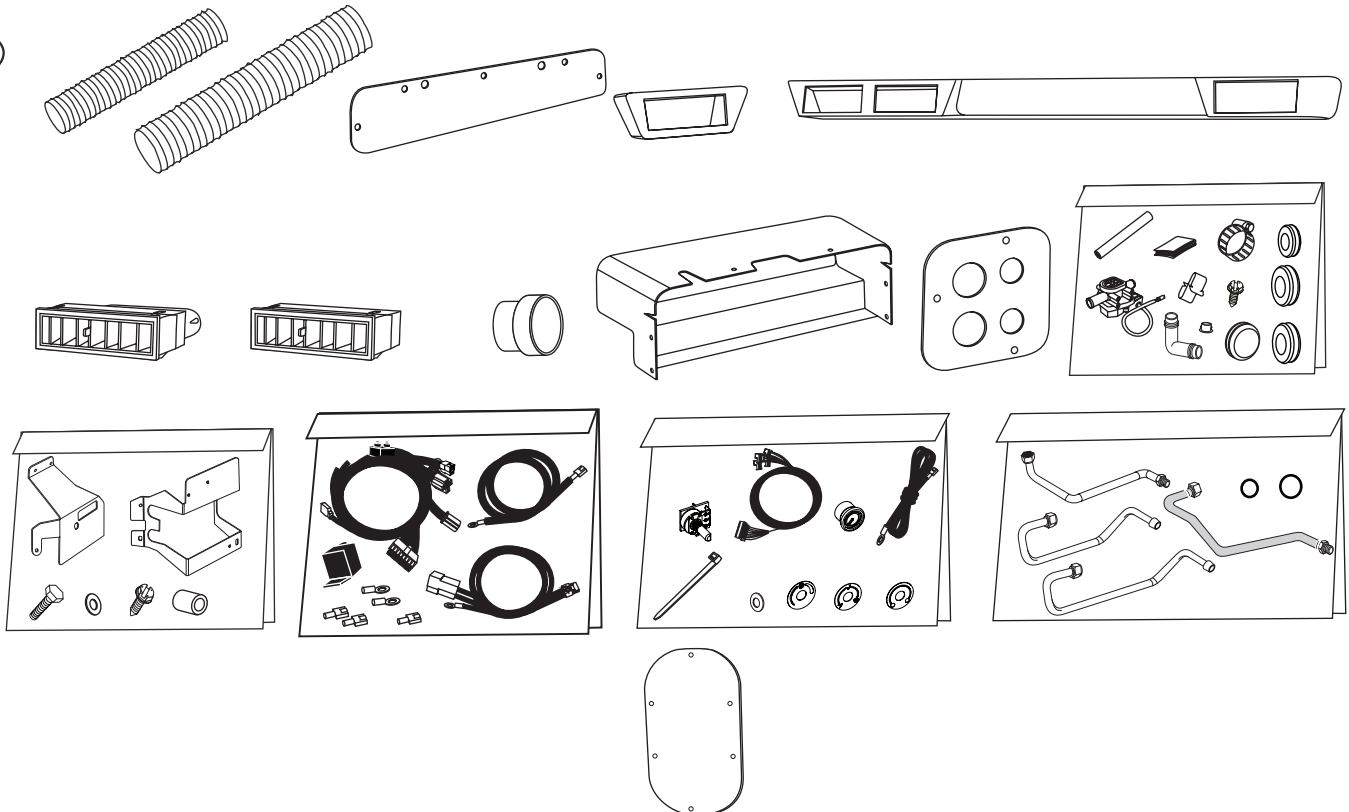
**** BEFORE BEGINNING INSTALLATION OPEN ALL PACKAGES AND CHECK CONTENTS OF SHIPMENT. PLEASE REPORT ANY SHORTAGES DIRECTLY TO VINTAGE AIR WITHIN 15 DAYS. AFTER 15 DAYS, VINTAGE AIR WILL NOT BE RESPONSIBLE FOR MISSING OR DAMAGED ITEMS.**

①

**GEN IV 4 VENT
EVAP. SUB CASE
744004-VUE**



②



3

**ACCESSORY KIT
791165**

NOTE: IMAGES MAY NOT DEPICT ACTUAL PARTS AND QUANTITIES. REFER TO PACKING LIST FOR ACTUAL PARTS AND QUANTITIES.



Important Notice—Please Read

For Maximum System Performance, Vintage Air Recommends the Following:

Heater Hose (Not Included With This Kit):

Heater hose may be purchased from Vintage Air (Part# 31800-VUD) or your local parts retailer. Routing and required length will vary based on installer preference.

Bolts Passing Through Cowl and/or Firewall:

To ensure a watertight seal between the passenger compartment and the vehicle exterior, for all bolts passing through the cowl and/or firewall, Vintage Air recommends coating the threads with silicone prior to installation.

Safety Switches:

Your Vintage Air system is equipped with a binary pressure safety switch. A binary switch disengages the compressor clutch in cases of extreme low pressure conditions (Refrigerant Loss) or excessively high head pressure (406 PSI) to prevent compressor damage or hose rupture. A trinary switch combines Hi/Lo pressure protection with an electric fan operation signal at 254 PSI, and should be substituted for use with electric fans. Compressor safety switches are extremely important since an A/C system relies on refrigerant to circulate lubricant.

Service Info:

Attention: The following system components are capped: Compressor, evaporator, condenser & drier. Caps may be under pressure with dry nitrogen. Be careful removing caps. Do not remove caps prior to installation. Removing caps prior to installation will cause components to collect moisture and lead to premature failure and reduced performance.

Evacuate the system for 35-45 minutes with system components (Drier, compressor, evaporator and condenser) at a temperature of at least 85° F. On a cool day, the components can be heated with a heat gun OR by running the engine with the heater on before evacuating. Leak check and charge to specifications.

Vintage Air Systems Are Designed to Operate With R134a Refrigerant Only! Use of Any Other Refrigerants Is a Fire Hazard and Could Damage Either Your Air Conditioning System or Your Vehicle.

Use of Any Other Refrigerants Will Void All Warranties of the Air Conditioning System and Components. Use of the Proper Type and Amount of Refrigerant Is Critical to Proper System Operation. Vintage Air Recommends Our Systems Be Charged By Weight With a Quality Charging Station or Scale.

Refrigerant Capacity for Vintage Air Systems:

(For other systems, consult manufacturer's guidelines)

R134a System

Charge with 1.8 lbs. (1 lb., 12 oz.) of refrigerant.

Lubricant Capacities:

New Vintage Air-supplied Sanden Compressor: No additional oil needed (Compressor is shipped with proper oil charge).

All Other Compressors: Consult manufacturer (Some compressors are shipped dry and will need oil added).



Important Wiring Notice—Please Read

Some Vehicles May Have Had Some or All of Their Radio Interference Capacitors Removed. There Should Be a Capacitor Found At Each of the Following Locations:

- 1. On the positive terminal of the ignition coil.**
- 2. If there is a generator, on the armature terminal of the generator.**
- 3. If there is a generator, on the battery terminal of the voltage regulator.**

Most alternators have a capacitor installed internally to eliminate what is called “whining” as the engine is revved. If whining is heard in the radio, or just to be extra cautious, a radio interference capacitor can be added to the battery terminal of the alternator.

It is also important that the battery lead is in good shape and that the ground leads are not compromised. There should be a heavy ground from the battery to the engine block, and additional grounds to the body and chassis.

If these precautions are not observed, it is possible for voltage spikes to be present on the battery leads. These spikes come from ignition systems, charging systems, and from switching some of the vehicle’s other systems on and off. Modern computer-operated equipment can be sensitive to voltage spikes on the power leads, which can cause unexpected resets, strange behavior, and/or permanent damage.

Vintage Air strives to harden our products against these types of electrical noise, but there is a point where a vehicle’s electrical system can be degraded so much that nothing can help.

Radio interference capacitors should be available at most auto and truck parts suppliers. They typically are cylindrical in shape, a little over an inch long, a little over a half inch in diameter, and they have a single lead coming from one end of the cylinder with a terminal on the end of the wire, as well as a mounting clip which is screwed into a good ground on the vehicle. The specific value of the capacitance is not too significant in comparison to ignition capacitors that are matched with the coil to reduce pitting of the points.

- Care must be taken, when installing the compressor lead, not to short it to ground. The compressor lead must not be connected to a condenser fan or to any other auxiliary device. Shorting to ground or connecting to a condenser fan or any other auxiliary device may damage wiring, the compressor relay, and/or cause a malfunction.
- When installing ground leads on Gen IV systems, the blower control ground and ECU ground must be connected directly to the negative battery post.
- For proper system operation, the heater control valve must be connected to the ECU.



BEFORE STARTING THE INSTALLATION, CHECK THE FUNCTION OF THE VEHICLE (HORN, LIGHTS, ETC.) FOR PROPER OPERATIONS. STUDY THE INSTRUCTIONS, ILLUSTRATIONS, & DIAGRAMS.

ENGINE COMPARTMENT

REMOVE THE FOLLOWING

- DISCONNECT BATTERY.
- DRAIN RADIATOR, REMOVE RADIATOR (RETAIN).
- HEATER BLOWER ASSEMBLY AND OEM HEATER HOSES (DISCARD).

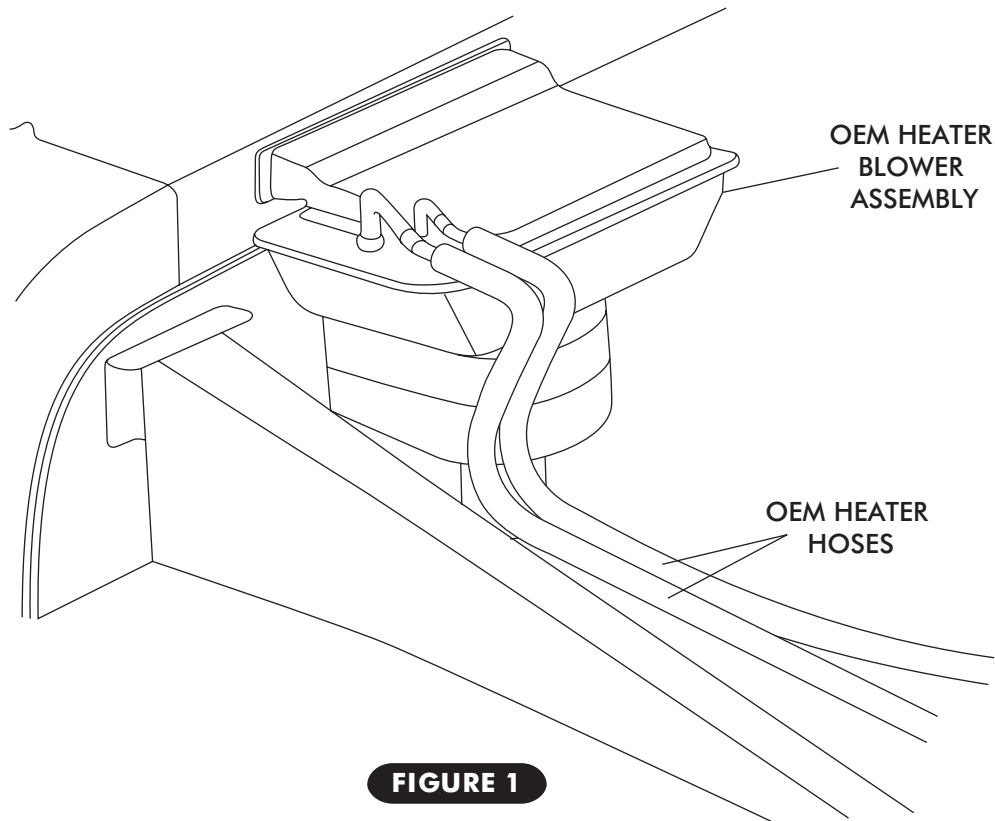


FIGURE 1



CONDENSER ASSEMBLY & INSTALLATION

- REFER TO SEPARATE INSTRUCTIONS INCLUDED WITH THE CONDENSER KIT TO INSTALL THE CONDENSER.
- BINARY SWITCH INSTALLATION (REFER TO CONDENSER INSTRUCTIONS).

COMPRESSOR & BRACKETS

- REFER TO SEPARATE INSTRUCTIONS INCLUDED WITH THE BRACKET KIT TO INSTALL THE COMPRESSOR AND BRACKET.

PASSENGER COMPARTMENT

REMOVE THE FOLLOWING:

- REMOVE GLOVE BOX DOOR (RETAIN) AND GLOVE BOX (DISCARD).
- DISCONNECT ALL WIRES AND CABLES FROM CONTROL PANEL.
- REMOVE CONTROL PANEL (RETAIN).
- REMOVE OEM DUCT HOSE FROM DEFROST DUCTS (SEE FIGURE 2, BELOW).
- OEM HEATER ASSEMBLY.
- REMOVE PASSENGER SIDE FRESH AIR DOOR ASM (DISCARD) (RETAIN SCREWS) (SEE FIGURE 2a).
- INSTALL PASSENGER SIDE FRESH AIR COVER USING OEM SCREWS AS SHOWN IN FIGURE 2b, BELOW.
- INSTALL HOSE ADAPTERS ON OEM DEFROST DUCTS USING (2) S-CLIPS AS SHOWN IN FIGURE 2, BELOW.

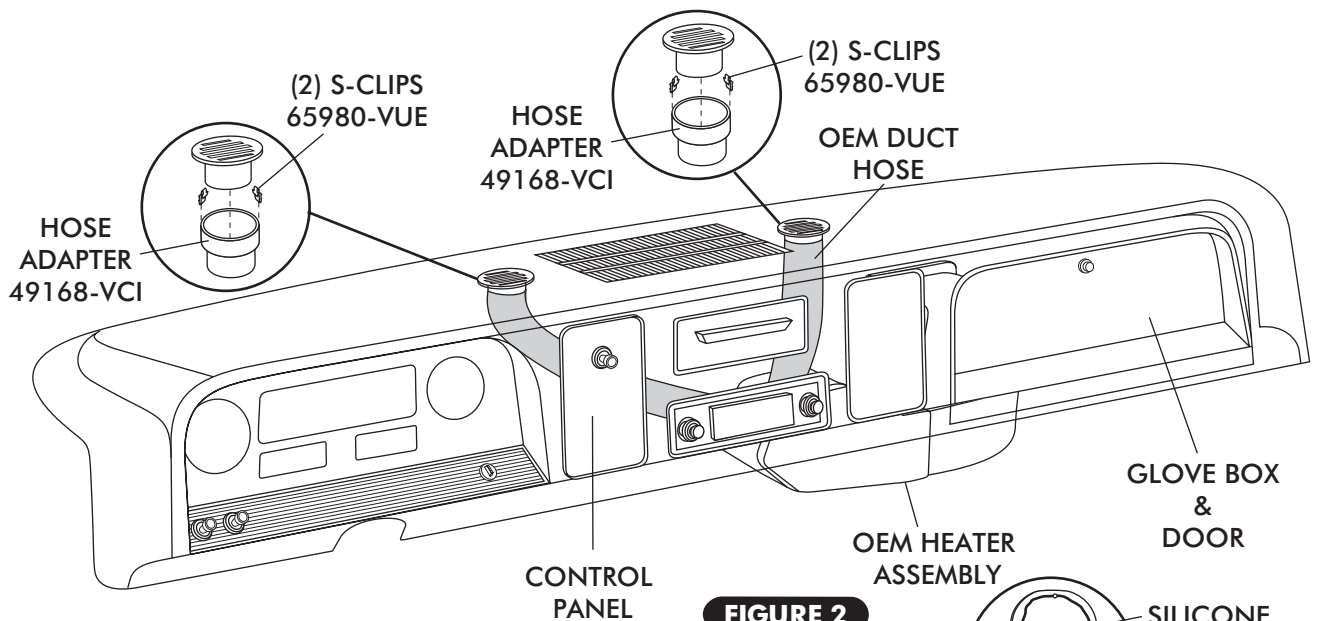


FIGURE 2

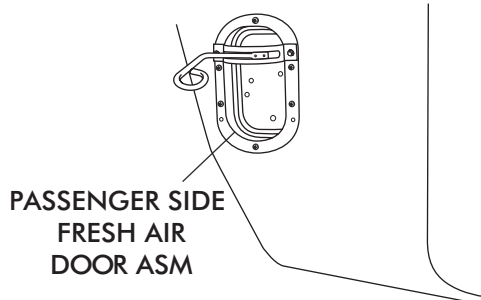


FIGURE 2a

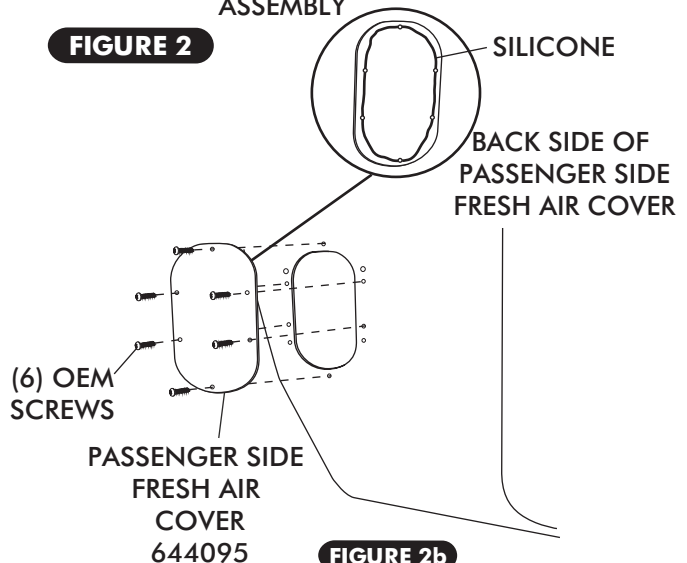


FIGURE 2b



FIREWALL MODIFICATION

- USING TEMPLATE PROVIDED ON PAGE 23, ALIGN TEMPLATE ON ENGINE SIDE OF FIREWALL WITH OEM HOLES, AND MARK AND DRILL $9/32$ " HOLE IN FIREWALL (SEE FIGURE 3, BELOW).

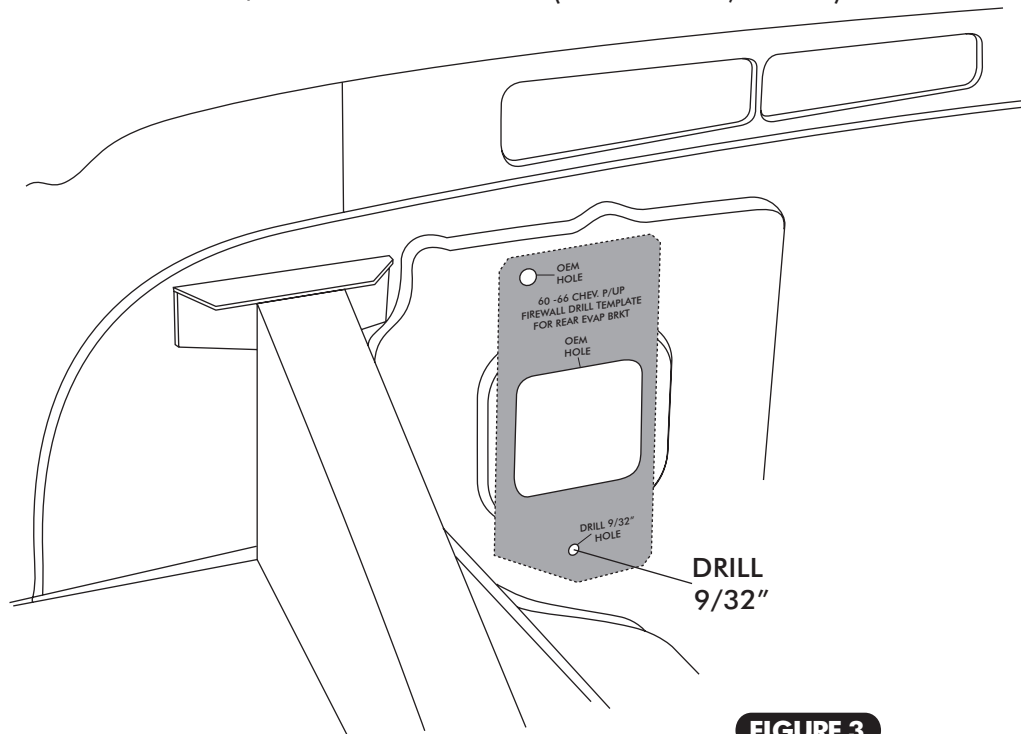


FIGURE 3

BRACKET & EVAPORATOR HARDLINE INSTALLATION

- ON A WORKBENCH, INSTALL EVAPORATOR REAR BRACKET USING (4) $1/4$ -20 x $1/2$ " HEX BOLTS.
- INSTALL HARDLINES WITH PROPERLY LUBRICATED O-RINGS (SEE FIGURE 5, PAGE 9, AND FIGURE 8, PAGE 11).
- **NOTE: WRAP THE #10 FITTING CONNECTIONS WITH PRESS TAPE. SEE FIGURE 5, PAGE 9.**
- INSTALL EVAPORATOR FRONT BRACKET ON EVAPORATOR USING (2) $1/4$ -20 x $1/2$ " HEX BOLTS AND TIGHTEN AS SHOWN IN FIGURE 4, BELOW.

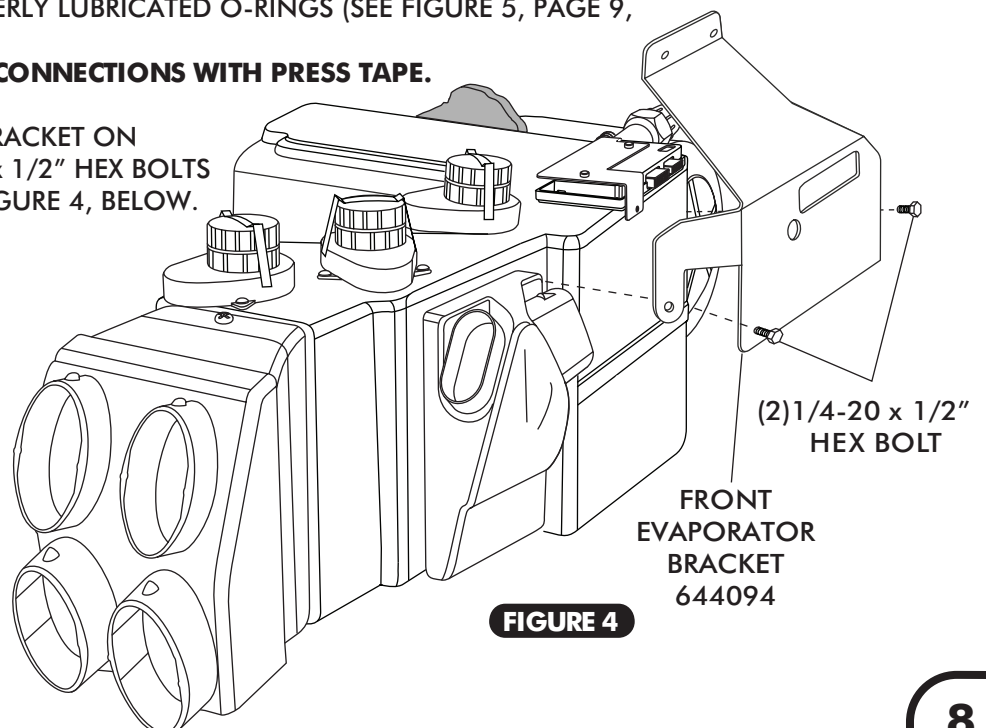
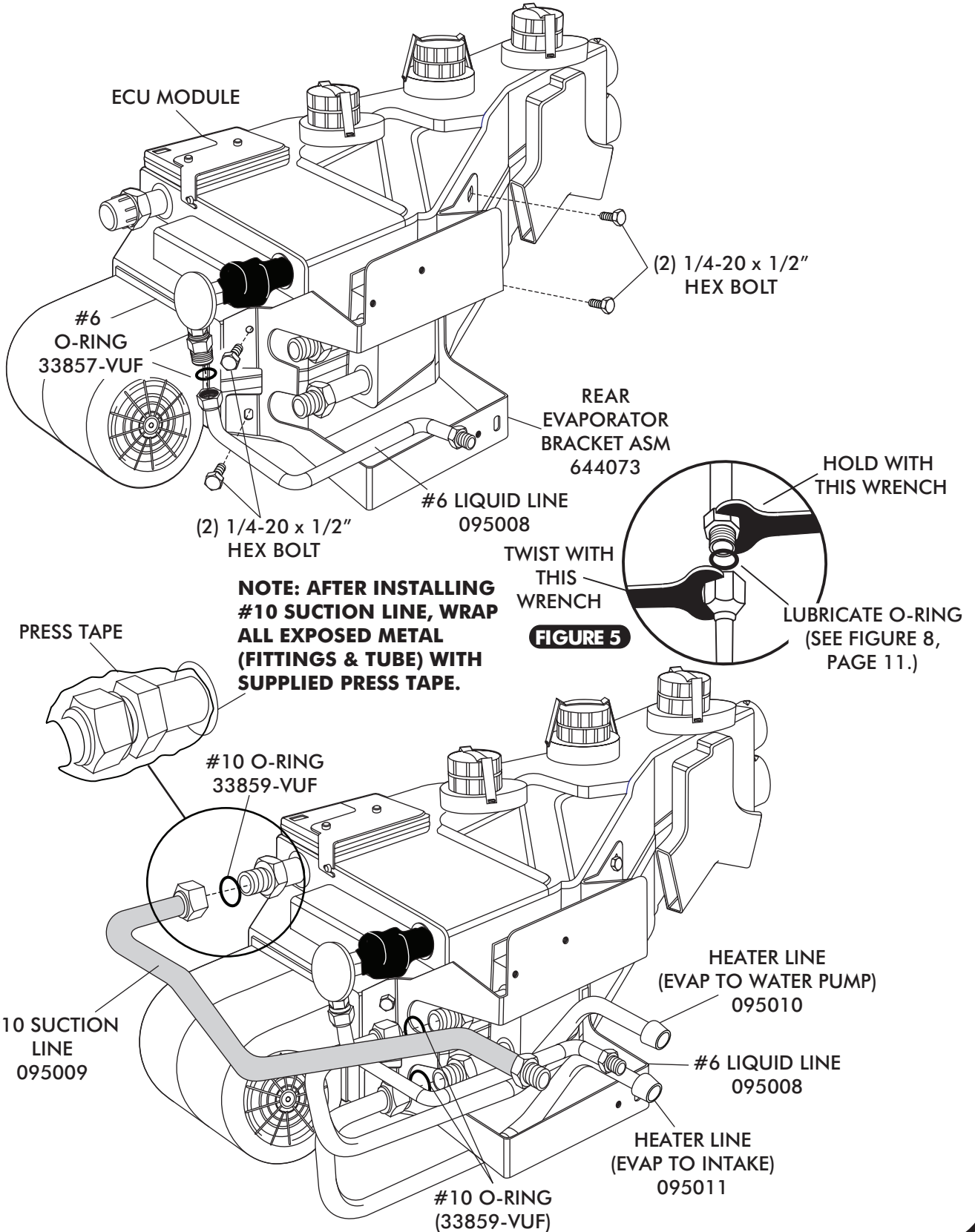


FIGURE 4



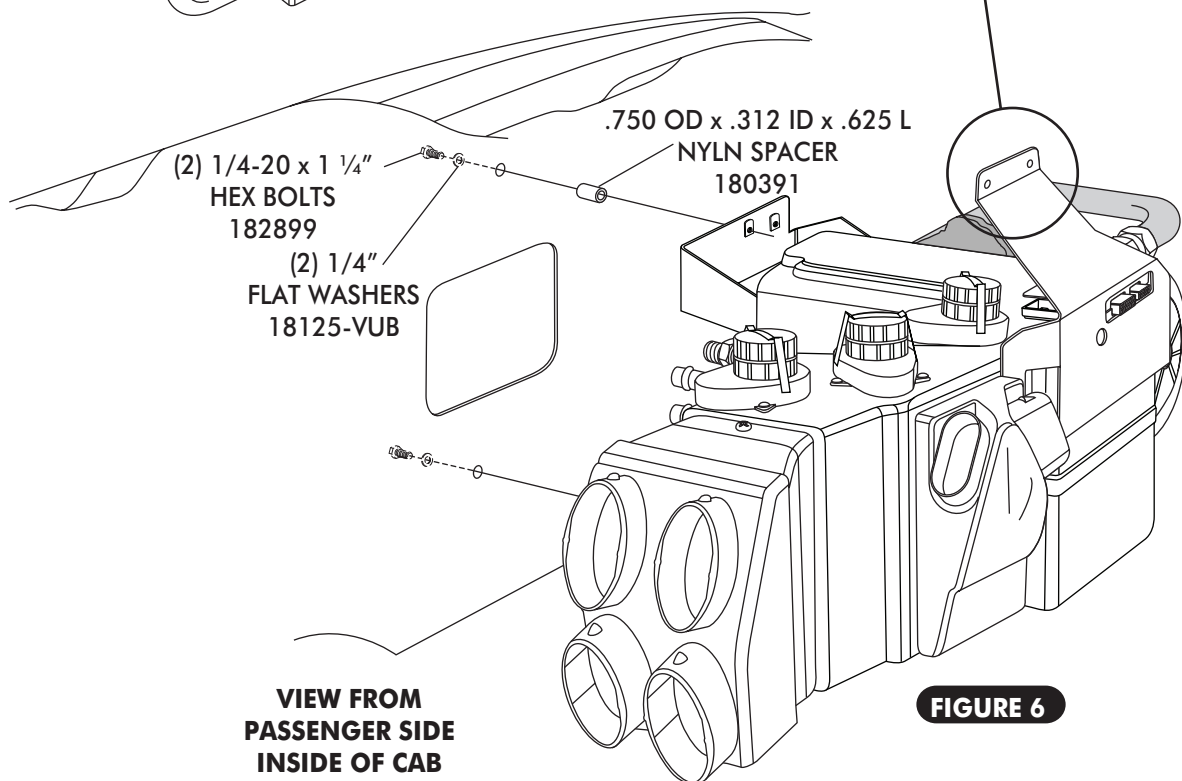
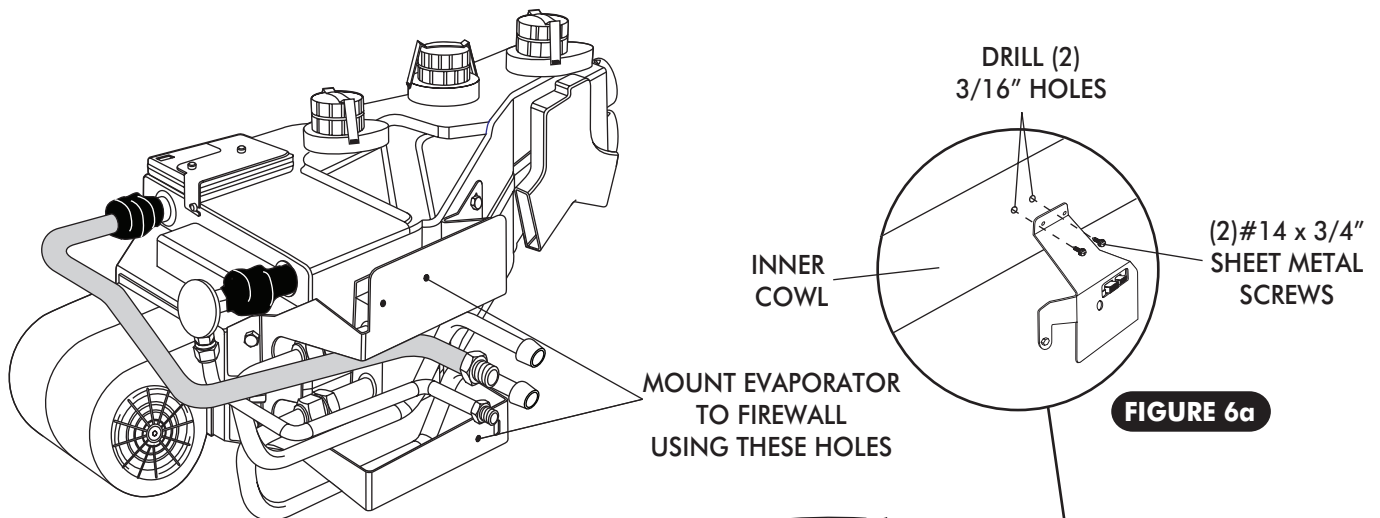
BRACKET & EVAPORATOR HARDLINE INSTALLATION CONT.





EVAPORATOR INSTALLATION

- ❑ LIFT EVAPORATOR UNIT UP UNDER THE DASHBOARD. SECURE LOOSELY TO THE FIREWALL USING (2) 1/4-20 x 1 1/4" HEX BOLTS, (2) FLAT WASHERS. SEE FIGURE 6.
- ❑ NOTE: TO ENSURE PROPER DRAINAGE, IT IS VERY IMPORTANT THAT THE EVAPORATOR IS LEVEL, BOTH LEFT-RIGHT AND FORE-AFT. CHECK FOR LEVEL ON THE FLAT PORTIONS OF THE CASE AROUND THE DRAIN, BLOCK THE UNIT UP, THEN DRILL FOR FRONT BRACKET SCREWS.
- ❑ SECURE THE FRONT EVAPORATOR MOUNTING BRACKET TO COWL USING (2) #14 x 3/4" HEX SHEET METAL SCREWS SEE FIGURE 6a, BELOW.
- ❑ VERIFY THAT EVAPORATOR UNIT IS LEVEL AND SQUARE TO THE DASH, THEN TIGHTEN ALL MOUNTING BOLTS. **NOTE: TIGHTEN THE BOLT ON FIREWALL FIRST, THEN THE FRONT MOUNTING BRACKET.**





DRAIN HOSE INSTALLATION

- LOCATE EVAPORATOR DRAIN ON BOTTOM OF EVAPORATOR CASE.
- IN LINE WITH DRAIN, LIGHTLY MAKE A MARK ON THE FIREWALL. MEASURE 1" DOWN AND DRILL A 5/8" HOLE THROUGH THE FIREWALL.
- INSTALL DRAIN HOSE TO BOTTOM OF EVAPORATOR UNIT AND ROUTE THROUGH FIREWALL. INSTALL 1/2" 90° DRAIN ELBOW ON DRAIN HOSE.

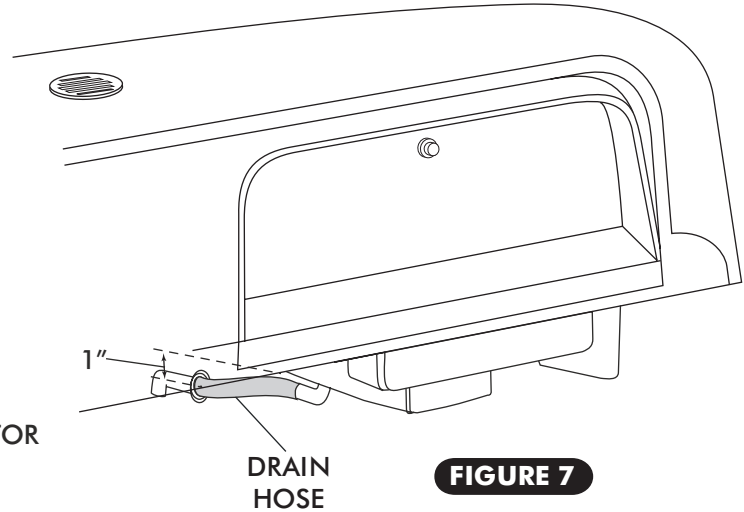
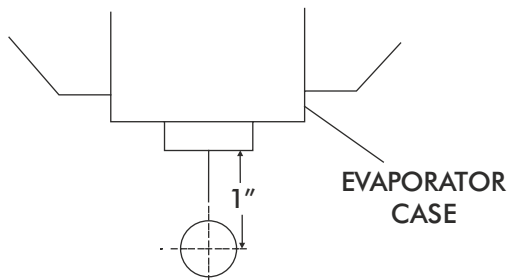


FIGURE 7

LUBRICATING O-RINGS

(OIL SUPPLIED WITH HOSE KIT)

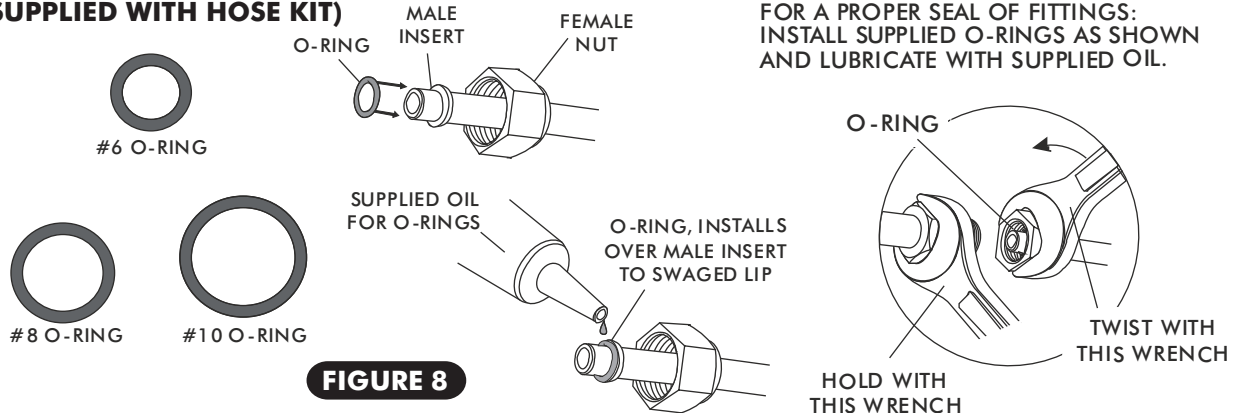


FIGURE 8

FOR A PROPER SEAL OF FITTINGS:
INSTALL SUPPLIED O-RINGS AS SHOWN
AND LUBRICATE WITH SUPPLIED OIL.

A/C HOSE INSTALLATION STANDARD HOSE KIT

- LOCATE THE #8 COMPRESSOR A/C HOSE. LUBRICATE (2) #8 O-RINGS (SEE FIGURE 8, ABOVE) AND CONNECT THE 135° FEMALE FITTING TO THE #8 DISCHARGE PORT ON THE COMPRESSOR. ROUTE THE STRAIGHT FEMALE FITTING w/ 134a SERVICE PORT TO THE #8 CONDENSER HARDLINE COMING THROUGH CORE SUPPORT. SEE FIGURE 11, PAGE 14. TIGHTEN EACH FITTING CONNECTION AS SHOWN IN FIGURE 8, ABOVE.
- LOCATE THE #10 COMPRESSOR A/C HOSE. LUBRICATE (2) #10 O-RINGS (SEE FIGURE 8, ABOVE) AND CONNECT THE #10 135° FEMALE FITTING w/134a SERVICE PORT TO THE #10 SUCTION PORT ON THE COMPRESSOR. ROUTE THE 45° FEMALE FITTING TO THE #10 EVAPORATOR. SEE FIGURE 10, PAGE 13, AND FIGURE 11, PAGE 14. TIGHTEN EACH FITTING CONNECTION AS SHOWN IN FIGURE 8, ABOVE.
- LOCATE THE #6 EVAPORATOR/ DRIER HARDLINE. LUBRICATE (2) #6 O-RINGS (SEE FIGURE 8, ABOVE) AND CONNECT THE HARDLINE TO THE #6 DRIER HARDLINE COMING THROUGH CORE SUPPORT. ATTACH THE OTHER END OF THE HARDLINE TO THE #6 EVAPORATOR. HARDLINE COMING THROUGH THE FIREWALL. SEE FIGURE 10, PAGE 13, AND FIGURE 11, PAGE 14. TIGHTEN EACH FITTING CONNECTION AS SHOWN IN FIGURE 8, ABOVE.

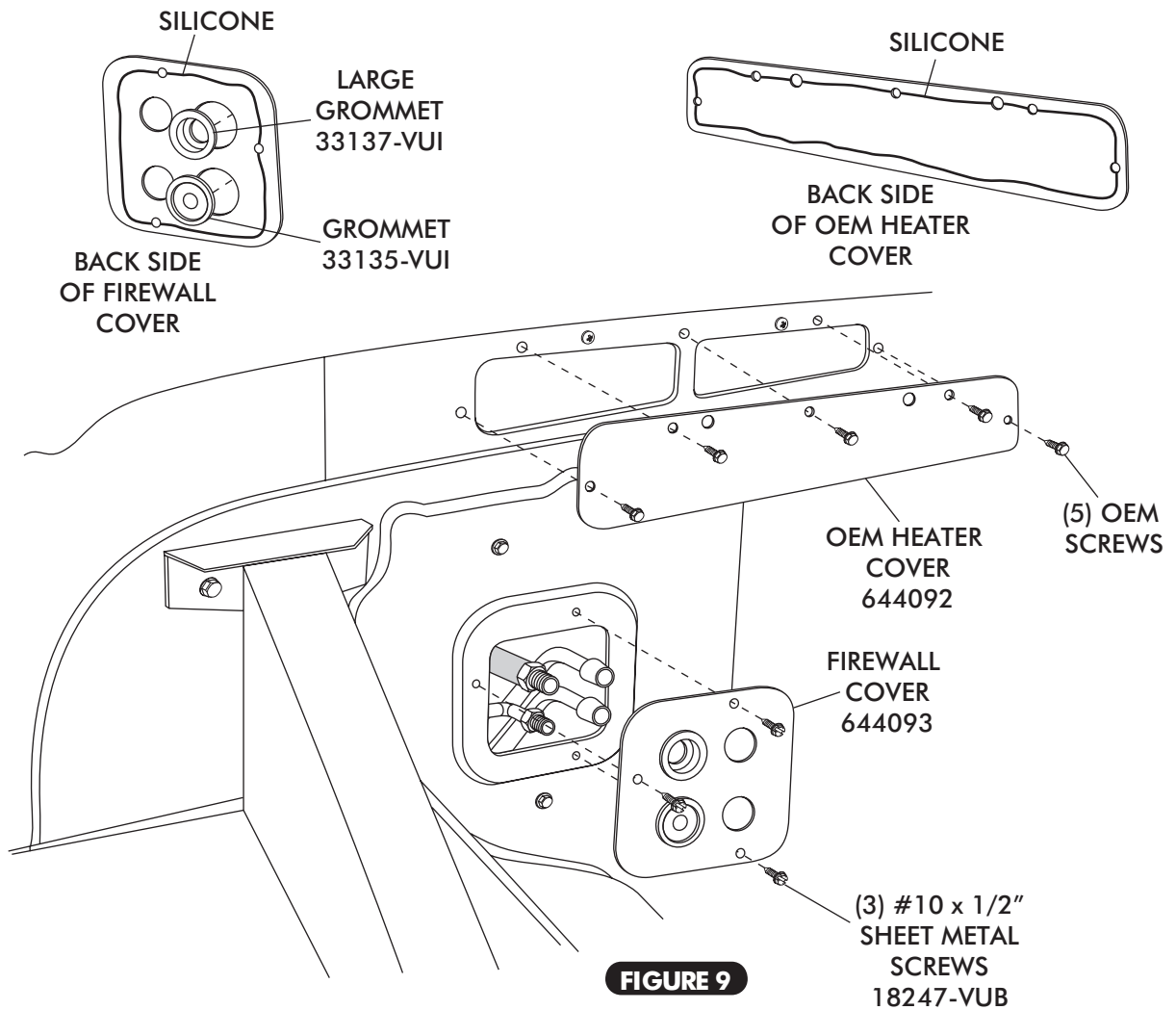
MODIFIED A/C HOSE KIT

- REFER TO SEPARATE INSTRUCTIONS INCLUDED WITH MODIFIED HOSE KIT.



FIREWALL & OEM HEATER COVER INSTALLATION

- APPLY A 1/4" BEAD OF SILICONE ON THE BACK SIDE OF OEM HEATER COVER AS SHOWN BELOW.
- INSTALL OEM HEATER COVER USING (5) OEM SCREWS AS SHOWN IN FIGURE 9, BELOW.
- INSTALL GROMMETS IN FIREWALL COVER AS SHOWN BELOW.
- APPLY A 1/4" BEAD OF SILICONE ON THE BACK SIDE OF FIREWALL COVER AS SHOWN BELOW.
- INSTALL FIREWALL COVER USING (3) #10 x 1/2" SHEET METAL SCREWS AS SHOWN IN FIGURE 9, BELOW.





HEATER HOSE & HEATER CONTROL VALVE INSTALLATION

- ROUTE HEATER HOSE FROM WATER PUMP TO THE HEATER LINE COMING THROUGH THE FIREWALL AS SHOWN IN FIGURE 10, BELOW. SECURE USING HOSE CLAMPS. **NOTE: A SMALL AMOUNT OF SILICONE SPRAY WILL EASE HEATER HOSE INSTALLATION.**
- ROUTE HEATER HOSE FROM THE INTAKE TO THE HEATER LINE COMING THROUGH THE FIREWALL AS SHOWN BELOW. **NOTE: INSTALL HEATER CONTROL VALVE IN LINE WITH INTAKE MANIFOLD (PRESSURE SIDE) HEATER HOSE, SECURE USING HOSE CLAMPS AS SHOWN. NOTE PROPER FLOW DIRECTION.**
- HOSE SHOULD PROTRUDE THROUGH THE FIREWALL COVER SLIGHTLY TO CLOSE THE GAP BETWEEN THE ALUMINUM LINE AND THE FIREWALL COVER. SEAL ANY REMAINING GAP WITH RTV SILICONE.

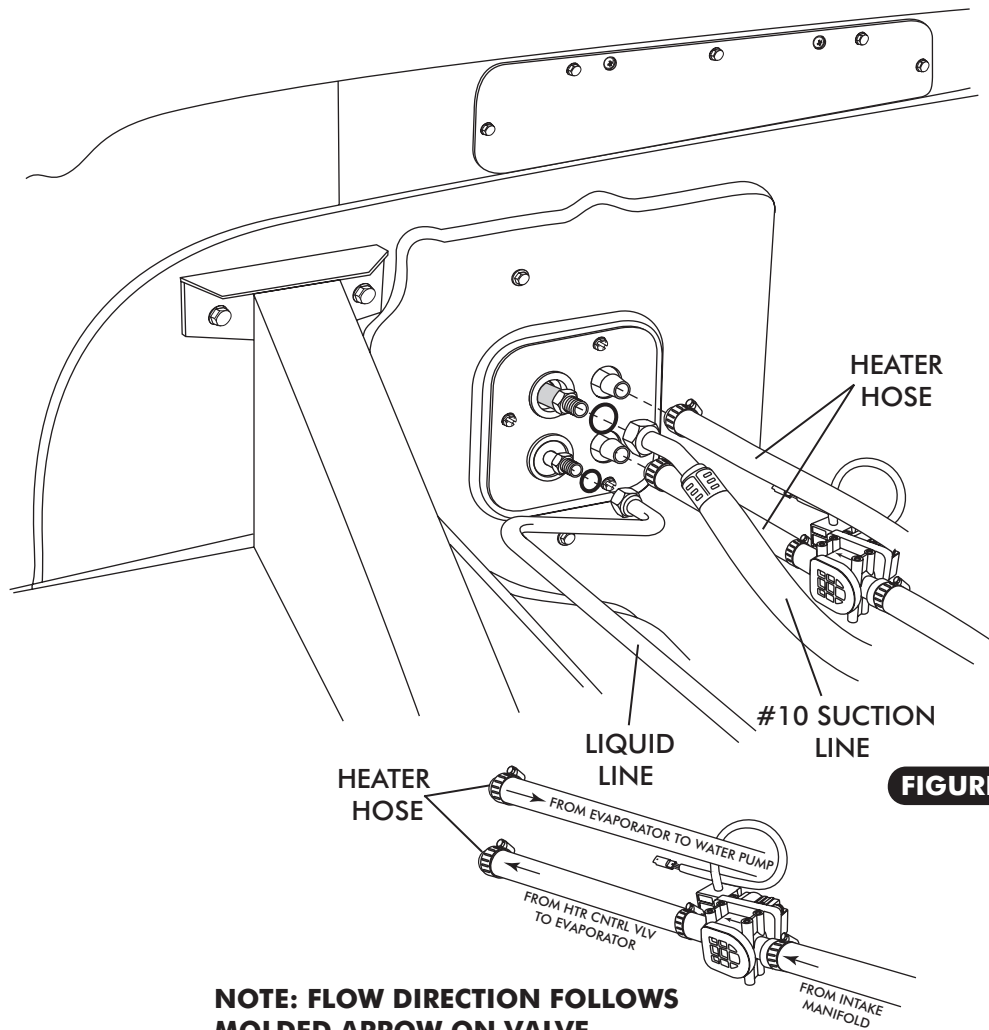


FIGURE 10

NOTE: FLOW DIRECTION FOLLOWS MOLDED ARROW ON VALVE.



A/C & HEATER HOSE ROUTING

NOTE: VINTAGE AIR SYSTEMS REQUIRE (2) 5/8" HOSE NIPPLES (NOT SUPPLIED).

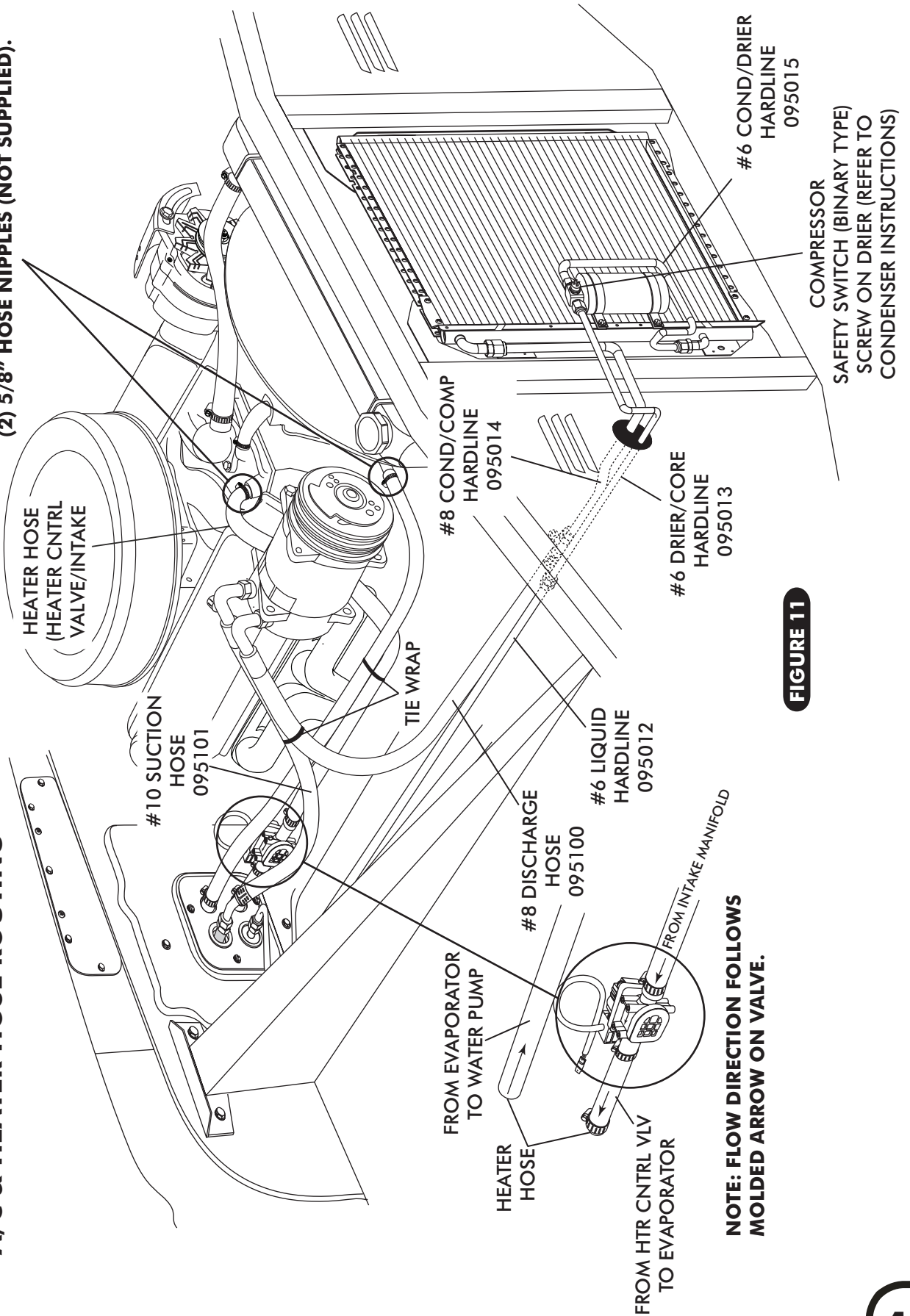


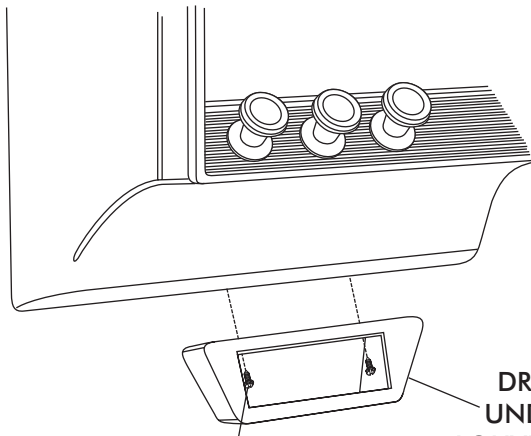
FIGURE 11

NOTE: FLOW DIRECTION FOLLOWS MOLDED ARROW ON VALVE.



DRIVER SIDE UNDER DASH LOUVER INSTALLATION

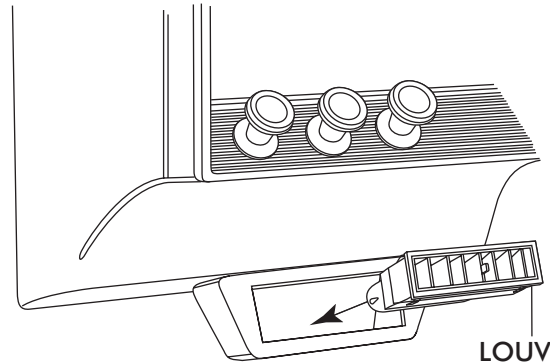
- LOCATE DRIVER SIDE LOUVER HOUSING UNDER DASH AND DRILL (2) 1/8" HOLES.
- SECURE LOUVER HOUSING TO DASH USING (2) #10 x 1/2" HEX SHEET METAL SCREWS AS SHOWN IN FIGURE 12, BELOW.
- INSTALL LOUVER IN UNDER DASH HOUSING AS SHOWN IN FIGURE 12a.



(2) #10 X 1/2"
HEX SHEET
METAL SCREWS
18247-VUB

DRIVER SIDE
UNDER DASH
LOUVER HOUSING
494052

FIGURE 12



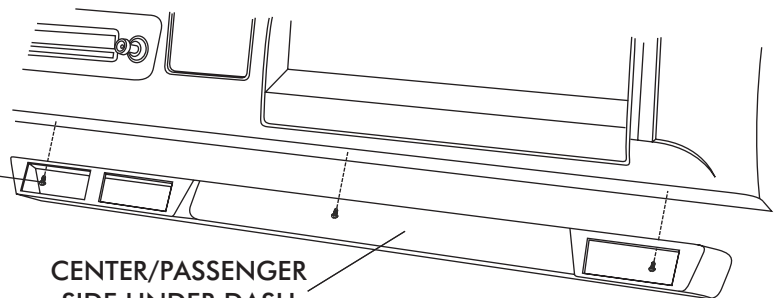
LOUVER
49057-VUL

FIGURE 12a

CENTER/ PASSENGER SIDE UNDER DASH LOUVER INSTALLATION

- LOCATE CENTER/PASSENGER SIDE LOUVER ASM UNDER DASH AND DRILL (3) 1/8" HOLES.
- SECURE LOUVER ASM UNDER DASH USING (3) #10 x 1/2" HEX SHEET METAL SCREWS AS SHOWN IN FIGURE 13, BELOW.
- INSTALL LOUVERS IN CENTER/PASSENGER SIDE UNDER DASH LOUVER ASM AS SHOWN IN FIGURE 13a.
- INSTALL (3) 1/2" PLASTIC PLUGS AS SHOWN BELOW.

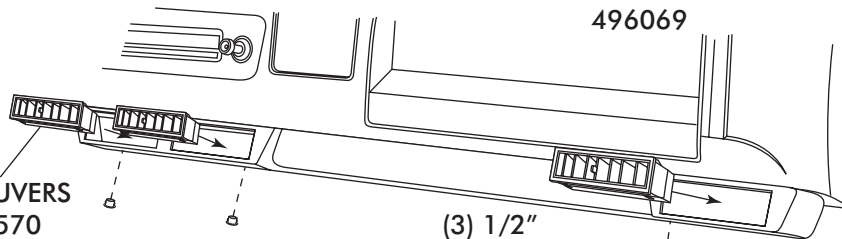
(3) #10 x 1/2"
HEX SHEET
METAL SCREWS



CENTER/PASSENGER
SIDE UNDER DASH
LOUVER ASM
496069

FIGURE 13

(3) LOUVERS
490570



(3) 1/2"
PLASTIC PLUGS
31102-GUR

FIGURE 13a



FINAL STEPS

- INSTALL DUCT HOSES AS SHOWN IN FIGURE 15, PAGE 17.
- ROUTE A/C WIRES THROUGH 3/8" GROMMET AS SHOWN IN FIGURE 14 (12 VOLT/GROUND/BINARY SWITCH/HEATER VALVE).
- INSTALL CONTROL PANEL ASM.
- PLUG THE WIRING HARNESS IN THE ECU MODULE ON SUB CASE AS SHOWN IN FIGURE 15, PAGE 17 (WIRE ACCORDING TO WIRING DIAGRAM ON PAGE 18 AND 19).
- INSTALL NEW GLOVE BOX USING OEM SCREWS (SEE FIGURE 14a).
- INSTALL GLOVE BOX DOOR.
- REINSTALL ALL PREVIOUSLY REMOVED ITEMS, INNER FENDER.
- FILL RADIATOR WITH AT LEAST A 50/50 MIXTURE OF APPROVED ANTIFREEZE AND DISTILLED WATER. IT IS THE OWNER'S RESPONSIBILITY TO KEEP THE FREEZE PROTECTION AT THE PROPER LEVEL FOR THE CLIMATE IN WHICH THE VEHICLE IS OPERATED. FAILURE TO FOLLOW ANTIFREEZE RECOMMENDATIONS WILL CAUSE HEATER CORE TO CORRODE PREMATURELY AND POSSIBLY BURST IN A/C MODE AND/OR FREEZING WEATHER, VOIDING YOUR WARRANTY.
- DOUBLE CHECK ALL FITTINGS, BRACKETS AND BELTS FOR TIGHTNESS.
- VINTAGE AIR RECOMMENDS THAT ALL A/C SYSTEMS BE SERVICED BY A CERTIFIED AUTOMOTIVE AIR CONDITIONING TECHNICIAN.
- EVACUATE THE SYSTEM FOR A MINIMUM OF 45 MINUTES PRIOR TO CHARGING, AND LEAK CHECK PRIOR TO SERVICING.
- CHARGE THE SYSTEM TO THE CAPACITIES STATED ON THE INFORMATION PAGE (PAGE 4) OF THIS INSTRUCTION MANUAL.
- SEE OPERATION OF CONTROLS PROCEDURES PAGE 20.

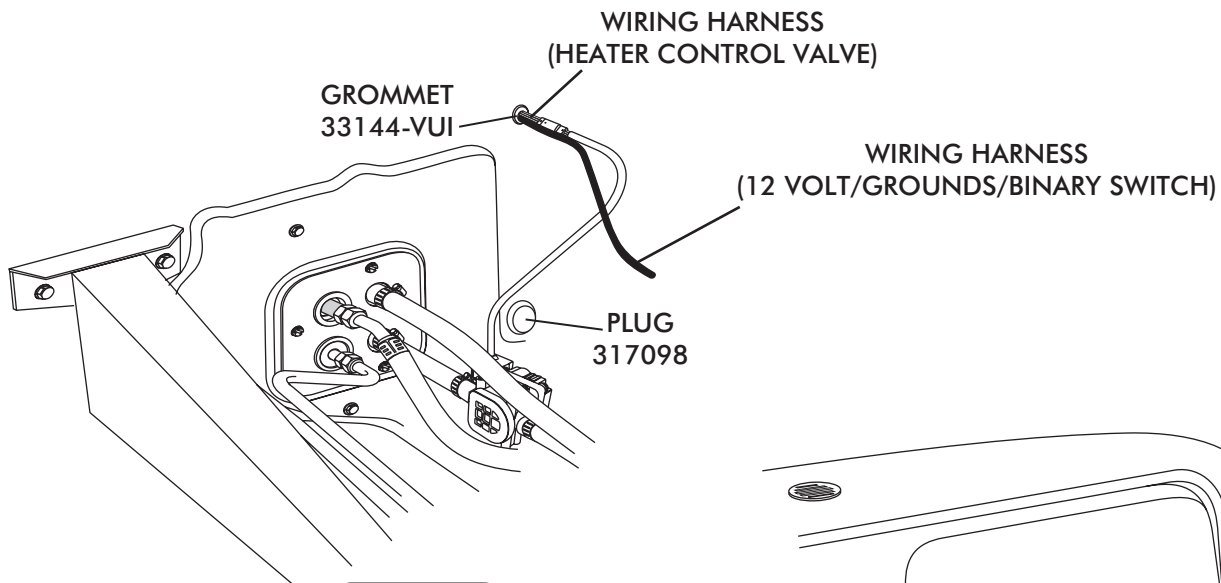


FIGURE 14

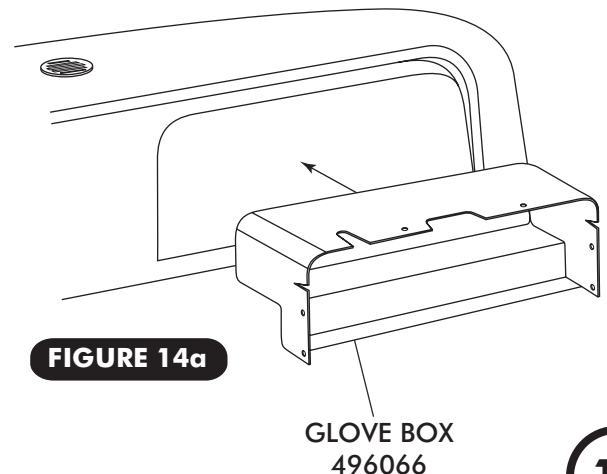


FIGURE 14a



CONTROL PANEL & DUCT HOSE ROUTING

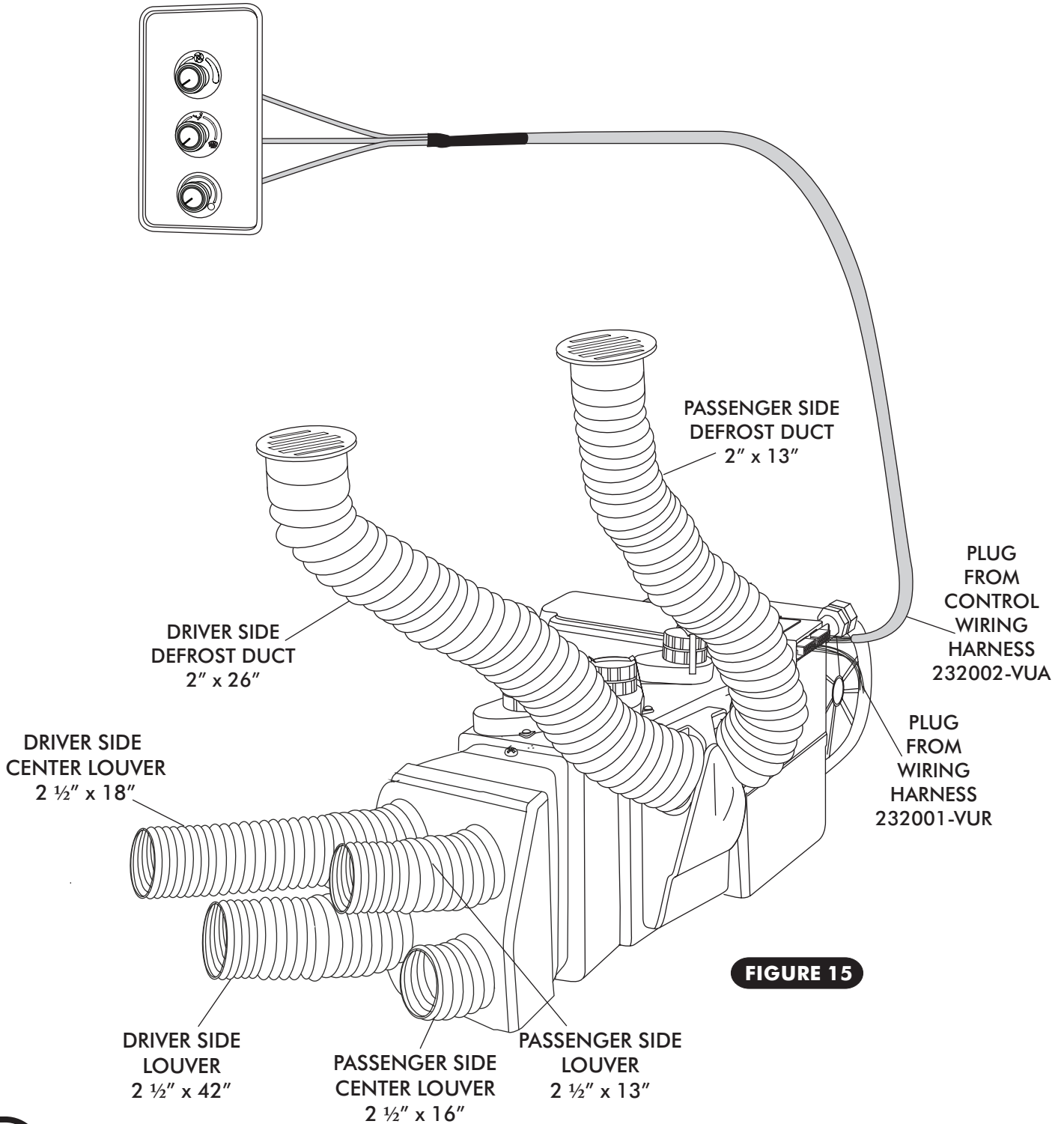
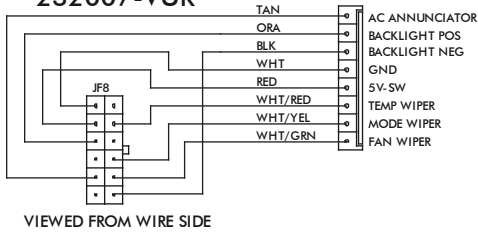


FIGURE 15



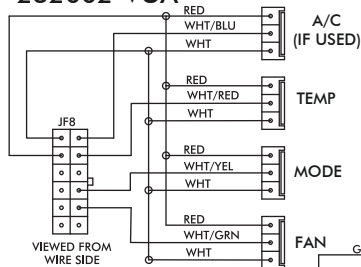
Wiring Diagram

232007-VUR



VIEWED FROM WIRE SIDE

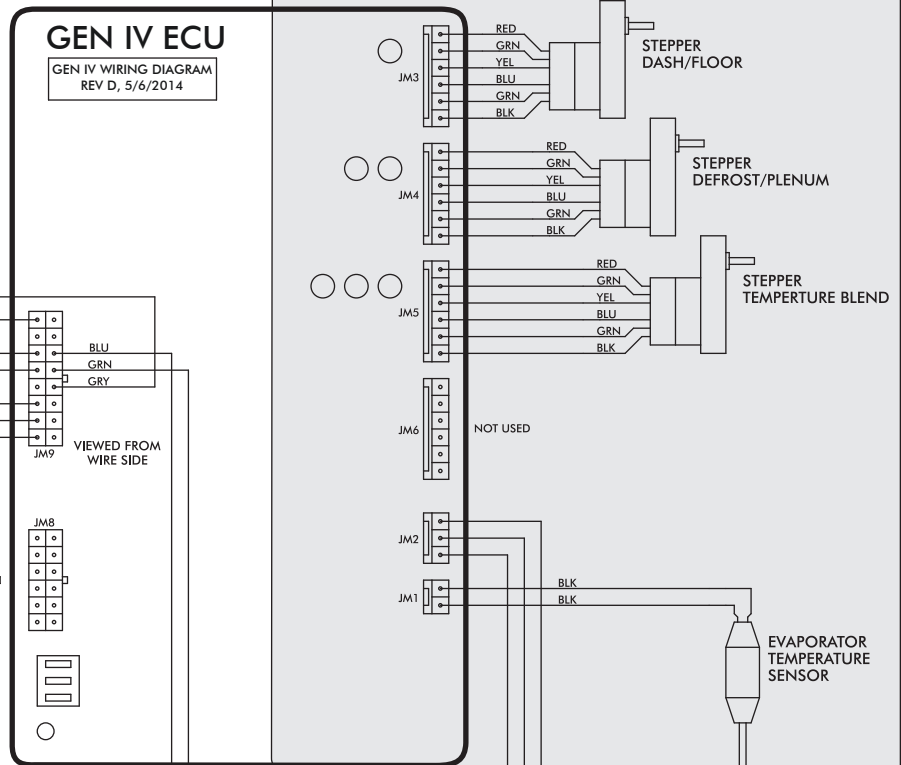
232002-VUA



VIEWED FROM WIRE SIDE

GEN IV ECU

GEN IV WIRING DIAGRAM
REV D, 5/6/2014

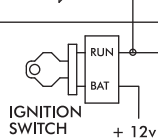


PRE-WIRED

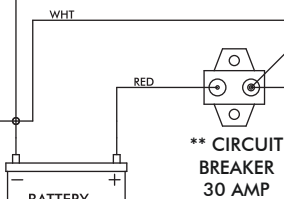
PROGRAM

N/A
* DASH LAMP
(IF USED)

*** WIDE OPEN
THROTTLE
SWITCH
(OPTIONAL)

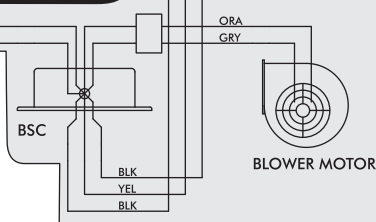


IGNITION SWITCH + 12v

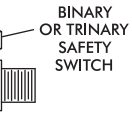


** CIRCUIT
BREAKER
30 AMP

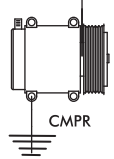
COMPRESSOR
RELAY



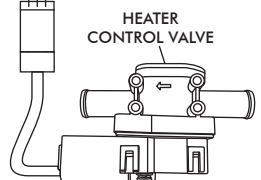
BLOWER MOTOR



BINARY
OR TRINARY
SAFETY
SWITCH



CMPR



HEATER
CONTROL VALVE

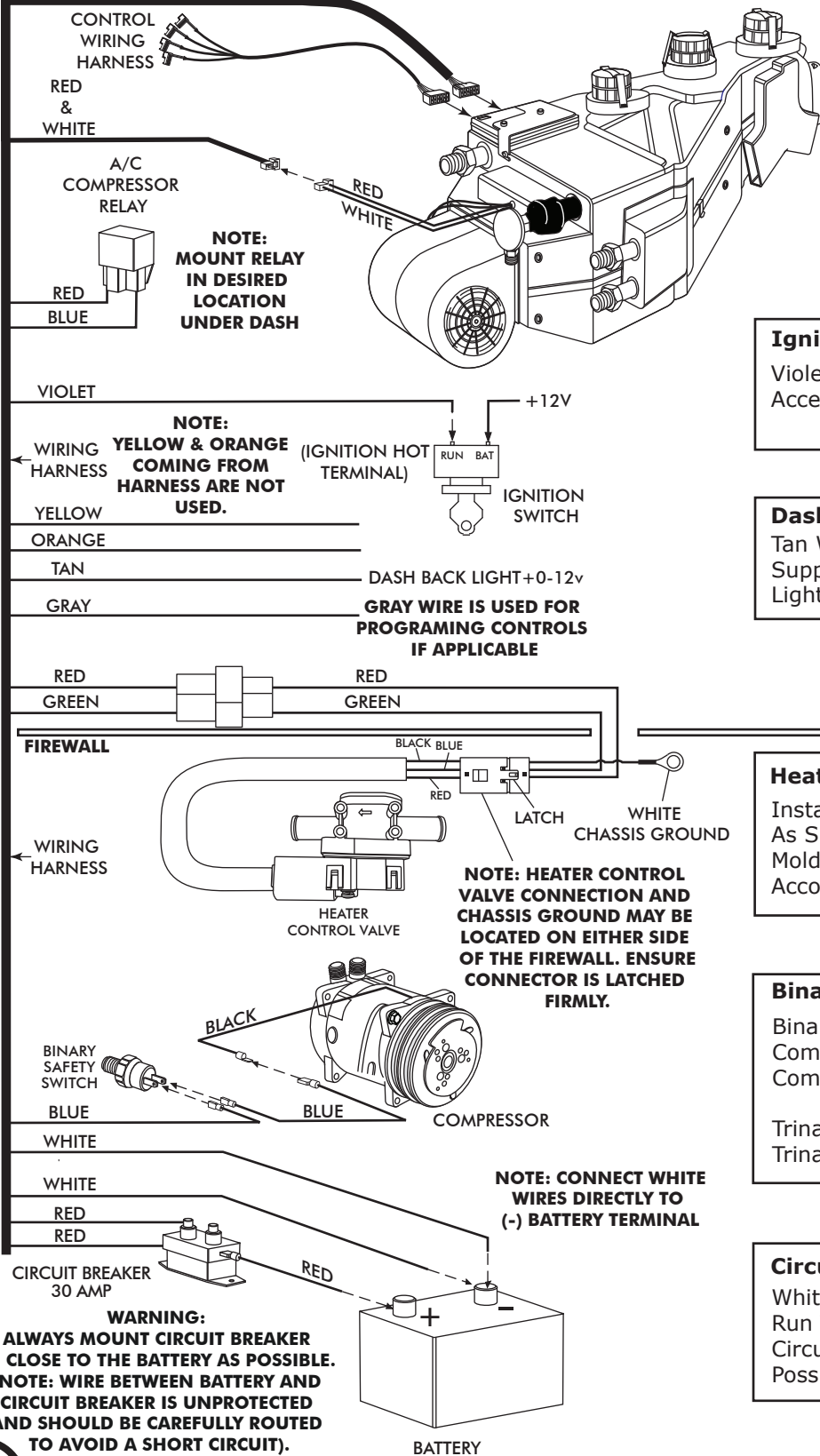
NOTE: = CHASSIS GROUND

- Dash Lamp Is Used Only With Type 232007-VUR Harness.
- Warning: Always Mount Circuit Breaker As Close to the Battery As Possible. (NOTE: Wire Between Battery and Circuit Breaker Is Unprotected and Should Be Carefully Routed to Avoid a Short Circuit).
- Wide Open Throttle Switch Contacts Close Only at Full Throttle, Which Disables A/C Compressor.



Gen IV Wiring Connection Instruction

WIRING HARNESS



Ignition Switch:
Violet 12V Ign Switch Source (Key On Accessory) Position Must Be Switched.

Dash Light:
Tan Wire Used Only With Vintage Air Supplied Control Panel With LED Back Light.

Heater Control Valve:
Install With Servo Motor Facing Down, As Shown. Note Flow Direction Arrow Molded Into Valve Body, And Install Accordingly.

Binary/Trinary & Compressor:
Binary: Connect As Shown (Typical Compressor Wiring). Be Sure Compressor Body Is Grounded.
Trinary Switch: Connect According To Trinary Switch Wiring Diagram.

Circuit Breaker/Battery:
White **Must** Run To (-) Battery. Red May Run To (+) Battery Or Starter. Mount Circuit Breaker As Close to Battery As Possible.

WARNING:
ALWAYS MOUNT CIRCUIT BREAKER AS CLOSE TO THE BATTERY AS POSSIBLE. (NOTE: WIRE BETWEEN BATTERY AND CIRCUIT BREAKER IS UNPROTECTED AND SHOULD BE CAREFULLY ROUTED TO AVOID A SHORT CIRCUIT).

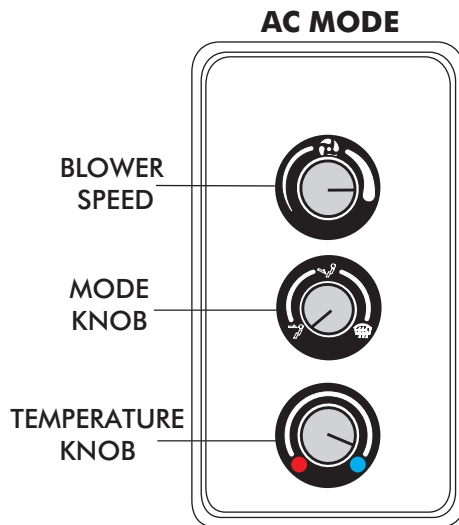


OPERATION OF CONTROLS

THE TEMPERATURE KNOB TOGGLES BETWEEN A/C AND HEAT MODES. FOR A/C MODE ROTATE THE TEMPERATURE KNOB ALL THE WAY RIGHT FOR HEAT MODE ROTATE THE KNOB ALL THE WAY TO THE LEFT TO DISENGAGE THE COMPRESSOR, THEN MOVE THE KNOB TO SELECT DESIRED TEMPERATURE.

NOTE: EACH TIME THE SYSTEM TOGGLES BETWEEN MODES, THE BLOWER WILL MOMENTARILY CHANGE SPEEDS.

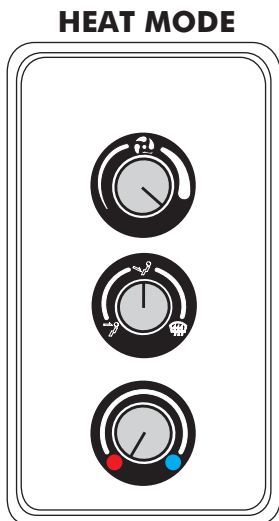
ALL SWITCHES ARE VARIABLE BETWEEN POSITIONS, SYSTEM WILL PERFORM A BLEND BETWEEN THE FUNCTIONS.



BLOWER SPEED
THIS KNOB CONTROLS THE BLOWER SPEED, FROM OFF TO HI

MODE KNOB
ROTATE THE KNOB TO THE LEFT TO DIRECT AIR FLOW TO THE DASH VENTS

TEMPERATURE KNOB
IN A/C MODE ROTATE THE TEMPERATURE KNOB ALL THE WAY RIGHT TO THE COLD POSITION TO ENGAGE COMPRESSOR. (ROTATE KNOB LEFT OR RIGHT TO ADJUST DESIRED TEMPERATURE)

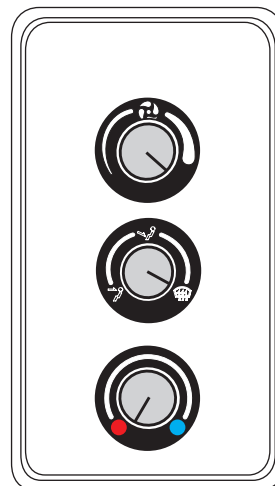


BLOWER SPEED
ROTATE KNOB RIGHT TO DESIRED BLOWER SPEED FROM OFF TO HI

MODE KNOB
ROTATE THE KNOB TO THE CENTER TO DIRECT AIR FLOW TO THE FLOOR.

TEMPERATURE KNOB
IN HEAT MODE ROTATE THE TEMPERATURE KNOB ALL THE WAY LEFT TO THE HOT POSITION. (ROTATE KNOB LEFT OR RIGHT TO ADJUST DESIRED TEMPERATURE)

DEFROST/ DE-FOG MODE



BLOWER SPEED
ROTATE KNOB RIGHT TO DESIRED BLOWER SPEED FROM OFF TO HI

MODE KNOB
ROTATE THE KNOB TO THE RIGHT TO DIRECT AIR FLOW TO THE DEFROST VENTS

TEMPERATURE KNOB
ROTATE KNOB LEFT OR RIGHT TO ADJUST DESIRED TEMPERATURE (COMPRESSOR IS AUTOMATICALLY ENGAGED)



Troubleshooting Guide

Symptom	Condition	Checks	Actions	Notes
1a. Blower stays on high speed when ignition is on.	No other functions work.	Check for damaged pins or wires in control head plug.	Verify that all pins are inserted into plug. Ensure that no pins are bent or damaged in ECU.	Loss of ground on this wire renders control head inoperable.
	All other functions work.	Check for damaged ground wire (white) in control head harness.	Verify continuity to chassis ground with white control head wire at various points.	
			Check for damaged blower switch or potentiometer and associated wiring.	See blower switch check procedure.
	1b. Blower stays on high speed when ignition is on or off.		Unplug 3-wire BSC control connector from ECU. If blower shuts off, ECU is either improperly wired or damaged.	Be sure the small, 20 GA white ground wire is connected to the battery ground post. If it is, replace the ECU.
Unplug 3-wire BSC control connector from ECU. If blower stays running, BSC is either improperly wired or damaged.			Check to ensure that no BSC wiring is damaged or shorted to vehicle ground. The BSC operates the blower by ground side pulse width modulation switching. The positive wire to the blower will always be hot. If the "ground" side of the blower is shorted to chassis ground, the blower will run on HI.	
		System must be charged for compressor to engage.	Replace BSC (This will require removal of evaporator from vehicle).	
		Charge system or bypass pressure switch.		
2. Compressor will not turn on (All other functions work).	System is not charged.	Check for faulty A/C potentiometer or associated wiring (Not applicable to 3-pot controls).	Check continuity to ground on white control head wire. Check for 5V on red control head wire.	To check for proper pot function, check voltage at white/blue wire. Voltage should be between 0V and 5V, and will vary with pot lever position.
		Check for disconnected or faulty thermistor.	Check 2-pin connector at ECU housing.	
	System is charged.	Check for faulty A/C potentiometer or associated wiring.	Repair or replace pot/control wiring.	Red wire at A/C pot should have approximately 5V with ignition on. White wire will have continuity to chassis ground. White/Blue wire should vary between 0V and 5V when lever is moved up or down.
		Check for faulty A/C relay.	Replace relay.	
3. Compressor will not turn off (All other functions work).	System is not charged.	System must be charged for compressor to engage.	Charge system or bypass pressure switch.	Danger: Never bypass safety switch with engine running. Serious injury can result.
		Check for faulty A/C potentiometer or associated wiring (Not applicable to 3-pot controls).	Check continuity to ground on white control head wire. Check for 5V on red control head wire.	
	System is charged.	Check for disconnected or faulty thermistor.	Check 2-pin connector at ECU housing.	Disconnected or faulty thermistor will cause compressor to be disabled.
		Check for faulty A/C potentiometer or associated wiring.	Repair or replace pot/control wiring.	Red wire at A/C pot should have approximately 5V with ignition on. White wire will have continuity to chassis ground. White/Blue wire should vary between 0V and 5V when lever is moved up or down.



Troubleshooting Guide (Cont.)

Symptom	Condition	Checks	Actions	Notes
4. System will not turn on, or runs intermittently.	Works when engine is not running; shuts off when engine is started (Typically early Gen IV, but possible on all versions).	Noise interference from either ignition or alternator.	Install capacitors on ignition coil and alternator. Ensure good ground at all points. Relocate coil and associated wiring away from ECU and ECU wiring. Check for burned or loose plug wires.	Ignition noise (radiated or conducted) will cause the system to shut down due to high voltage spikes. If this is suspected, check with a quality oscilloscope. Spikes greater than 16V will shut down the ECU. Install a radio capacitor at the positive post of the ignition coil (See radio capacitor installation bulletin). A faulty alternator or worn out battery can also result in this condition.
	Will not turn on under any conditions.	Verify connections on power lead, ignition lead, and both white ground wires.	Check for positive power at heater valve green wire and blower red wire. Check for ground on control head white wire.	
		Verify battery voltage is greater than 10 volts and less than 16.	Verify proper meter function by checking the condition of a known good battery.	
5. Loss of mode door function.	No mode change at all.	Check for damaged mode switch or potentiometer and associated wiring.		Typically caused by evaporator housing installed in a bind in the vehicle. Be sure all mounting locations line up and don't have to be forced into position.
	Partial function of mode doors.	Check for obstructed or binding mode doors. Check for damaged stepper motor or wiring.		
6. Blower turns on and off rapidly.	Battery voltage is at least 12V.	Check for at least 12V at circuit breaker.	Ensure all system grounds and power connections are clean and tight.	System shuts off blower at 10V. Poor connections or weak battery can cause shutdown at up to 11V.
	Battery voltage is less than 12V.	Check for faulty battery or alternator.	Charge battery.	
7. Erratic functions of blower, mode, temp, etc.		Check for damaged switch or pot and associated wiring.	Repair or replace.	
	When ignition is turned on, blower momentarily comes on, then shuts off. This occurs with the blower switch in the OFF position.	This is an indicator that the system has been reset. Be sure the red power wire is on the battery post, and not on a switched source. Also, if the system is pulled below 7V for even a split second, the system will reset.	Run red power wire directly to battery.	

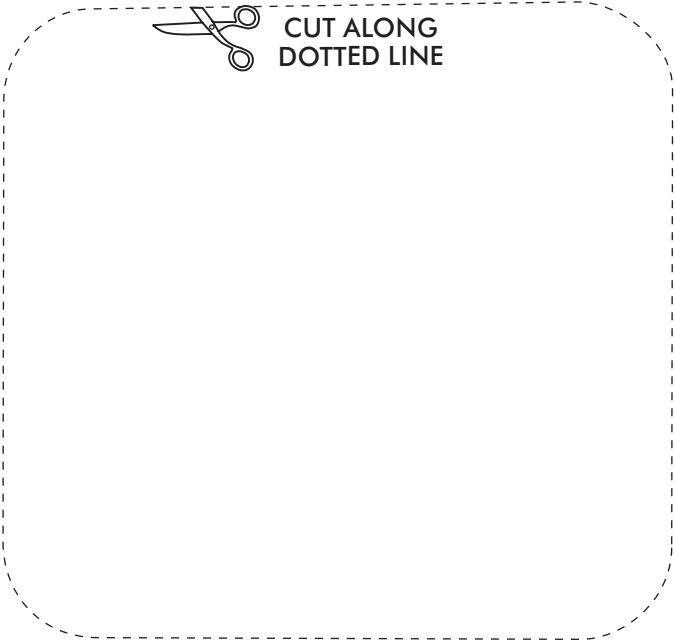


UPPER OEM HOLE

**64-66 CHEV P-UP
FIREWALL TEMPLATE
FOR REAR EVAP BRKT**

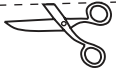


CUT ALONG DOTTED LINE



OEM HOLE

DRILL
Ø 9/32



CUT ALONG DOTTED LINE



EVAPORATOR KIT PACKING LIST

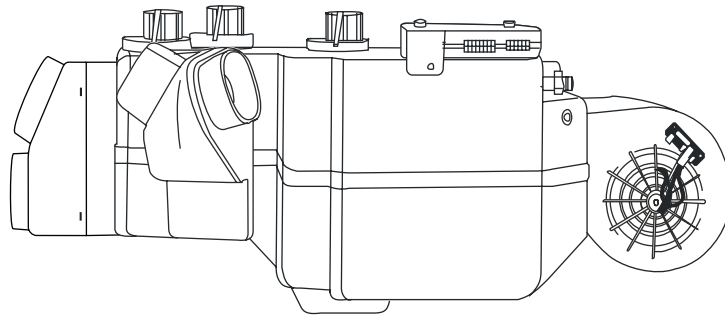
EVAPORATOR KIT
751165

NO.	QTY.	PART NO.	DESCRIPTION
1.	1	744004-VUE	GEN IV 4 VENT EVAPORATOR SUB CASE
2.	1	791165	ACCESSORY KIT

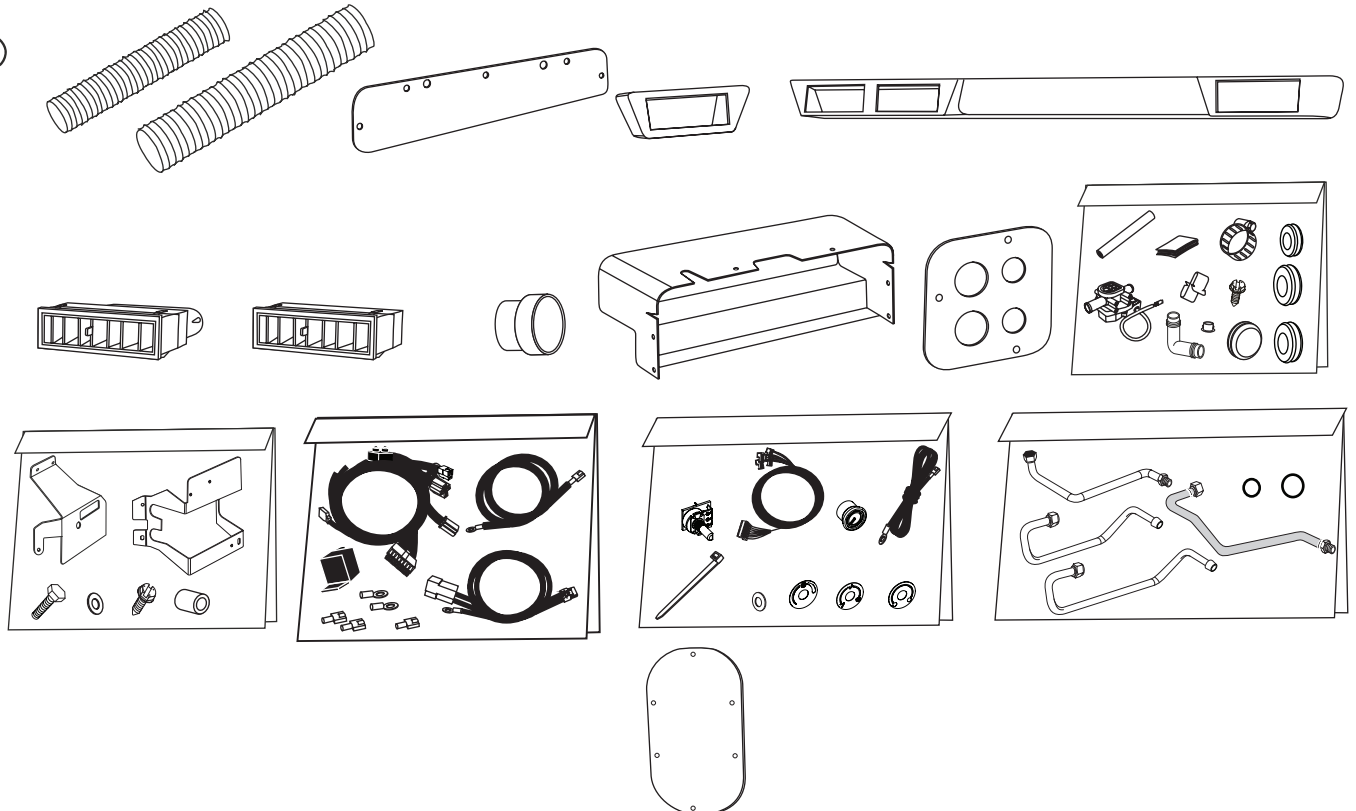
CHECK BY: _____
 PACKED BY: _____
 DATE: _____

①

**GEN IV 4 VENT
EVAP. SUB CASE
744004-VUE**



②



**ACCESSORY KIT
791165**

**NOTE: IMAGES MAY NOT DEPICT ACTUAL PARTS AND QUANTITIES.
REFER TO PACKING LIST FOR ACTUAL PARTS AND QUANTITIES.**