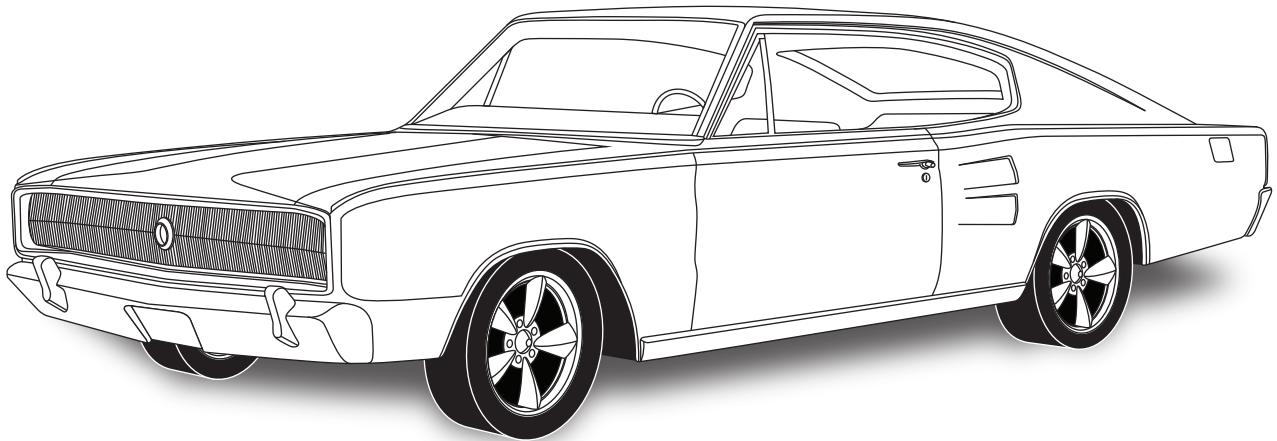




an ISO 9001:2008 Registered Company

**1966-67**  
**Dodge Charger, Coronet**  
Evaporator Kit  
*with Factory Air*  
**571067**



**18865 Goll St. San Antonio, TX 78266**  
**Phone: 210-654-7171**  
**Fax: 210-654-3113**  
**[www.vintageair.com](http://www.vintageair.com)**



www.vintageair.com

# Table of Contents

Cover.....	1
Table of Contents.....	2
Packing List/Parts Disclaimer.....	3
Information Page.....	4
Wiring Notice.....	5
Engine Compartment Disassembly, Condenser Assembly and Installation, Compressor and Brackets, Pulleys.....	6
Passenger Compartment Disassembly.....	7
Defrost Duct and Hose Adapter & Cowl Cover Installation, Driver and Passenger Side Hose Adapter Installation.....	8
Center Louver Hose Adapter Installation, Evaporator Bracket, Evaporator Hardline & Heater Hose Fitting Installation.....	9
Evaporator Bracket, Evaporator Hardline & Heater Hose Fitting Installation (Cont.).....	10
Firewall Cover Installation, Firewall Modification.....	11
Evaporator Installation.....	12
Inner Fender Cover & Hardline Installation.....	13
Drain Hose Installation, Lubricating O-rings, A/C Hose Installation.....	14
Heater Hose & Heater Control Valve Installation, A/C & Heater Hose Routing.....	15
Final Steps.....	16
Control Panel & Duct Hose Routing.....	17
Wiring Diagram.....	18
Gen IV Wiring Connection Instructions.....	19
Operation of Controls.....	20
Troubleshooting Information.....	21
Troubleshooting Information (Cont.).....	22
Packing List.....	23



www.vintageair.com

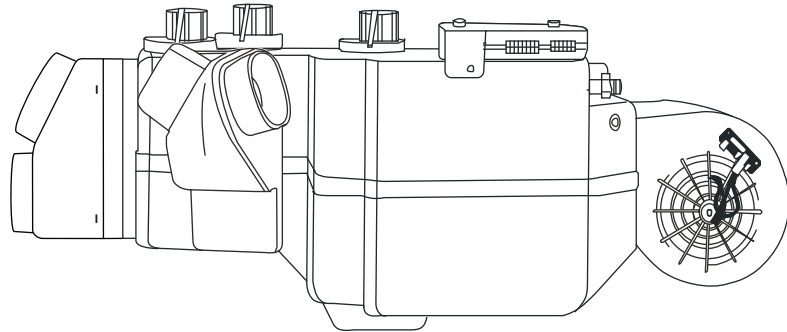
# Packing List Evaporator Kit (571067)

No.	Qty.	Part No.	Description
1.	1	744004-VUE	Gen IV Evaporator Sub Case w/ 204 ECU
2.	1	781078	Accessory Kit

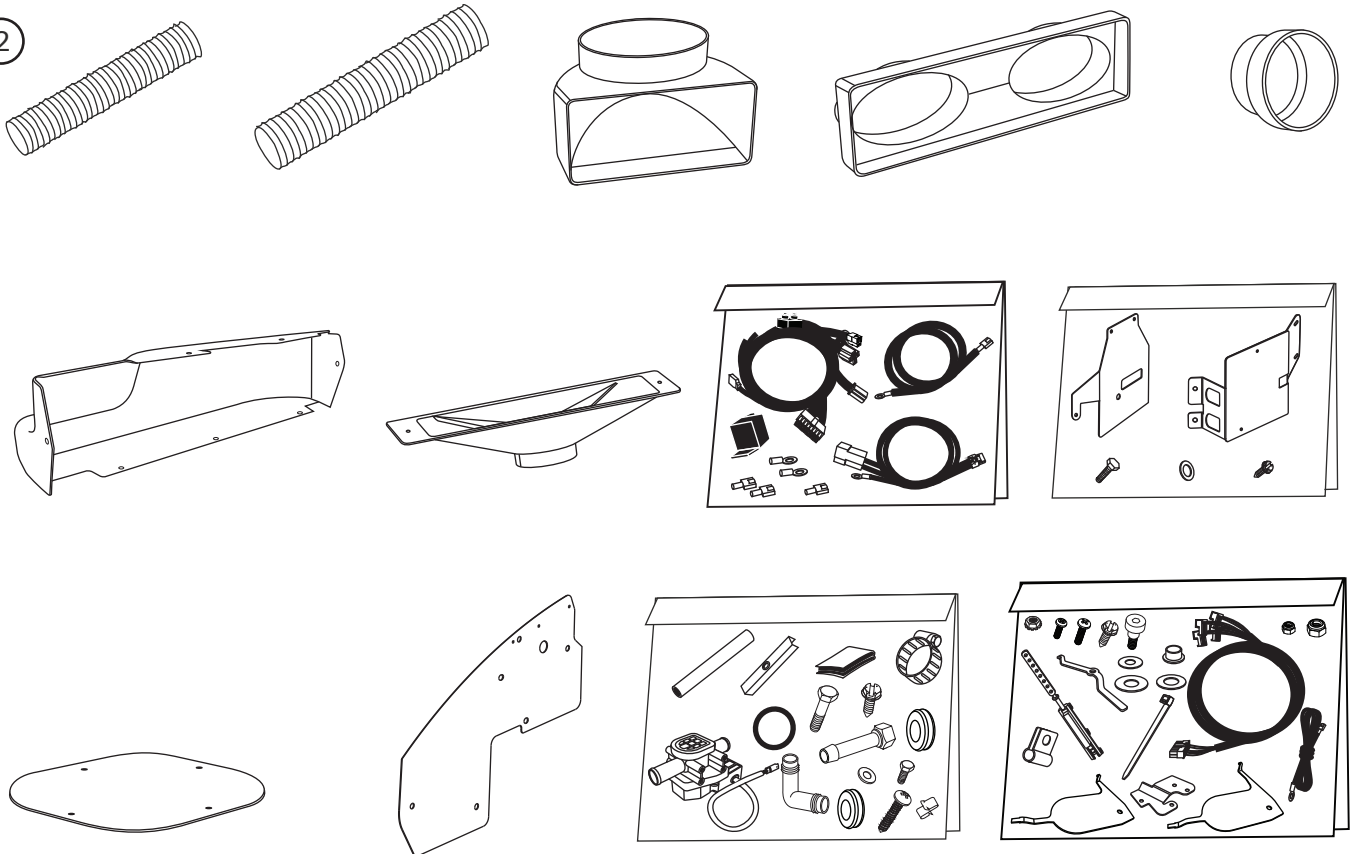
**\*\* Before beginning installation, open all packages and check contents of shipment. Please report any shortages directly to Vintage Air within 15 days. After 15 days, Vintage Air will not be responsible for missing or damaged items.**

①

**Gen IV Evaporator  
Sub Case w/ 204 ECU  
744004-VUE**



②



**Accessory Kit  
781078**

**NOTE: Images may not depict actual parts and quantities. Refer to packing list for actual parts and quantities.**



www.vintageair.com

## Important Notice—Please Read

*For Maximum System Performance, Vintage Air Recommends the Following:*

**NOTE: Vintage Air systems are designed to operate with R134a refrigerant only. Use of any other refrigerant could damage your A/C system and/or vehicle, and possibly cause a fire, in addition to potentially voiding the warranties of the A/C system and its components.**

### Refrigerant Capacities:

**Vintage Air System:** 1.8 lbs. (1 lb., 12 oz.) of **R134a**, charged by weight with a quality charging station or scale. **NOTE: Use of the proper type and amount of refrigerant is critical to system operation and performance.**

**Other Systems:** Consult manufacturer's guidelines.

### Lubricant Capacities:

**New Vintage Air-supplied Sanden Compressor:** No additional oil needed (Compressor is shipped with proper oil charge).

**All Other Compressors:** Consult manufacturer (Some compressors are shipped dry and will need oil added).

### Safety Switches

Your Vintage Air system is equipped with a binary pressure safety switch. A binary switch disengages the compressor clutch in cases of extreme low pressure conditions (Refrigerant Loss) or excessively high head pressure (406 PSI) to prevent compressor damage or hose rupture. A trinary switch combines Hi/Lo pressure protection with an electric fan operation signal at 254 PSI, and should be substituted for use with electric fans. Compressor safety switches are extremely important since an A/C system relies on refrigerant to circulate lubricant.

### Service Info:

**Protect Your Investment:** Prior to assembly, it is critical that the compressor, evaporator, A/C hoses and fittings, hardlines, condenser and receiver/drier remained capped. Removing caps prior to assembly will allow moisture, insects and debris into the components, possibly leading to reduced performance and/or premature failure of your A/C system. This is especially important with the receiver/drier.

Additionally, when caps are removed for assembly, **BE CAREFUL!** Some components are shipped under pressure with dry nitrogen.

**Evacuate the System for 35-45 Minutes:** Ensure that system components (Drier, compressor, evaporator and condenser) are at a temperature of at least 85° F. On a cool day, the components can be heated with a heat gun **or** by running the engine with the heater on before evacuating. Leak check and charge to specifications.

### Bolts Passing Through Cowl and/or Firewall:

To ensure a watertight seal between the passenger compartment and the vehicle exterior, for all bolts passing through the cowl and/or firewall, Vintage Air recommends coating the threads with silicone prior to installation.

### Heater Hose (Not Included With This Kit):

Heater hose may be purchased from Vintage Air (Part# 31800-VUD) or your local parts retailer. Routing and required length will vary based on installer preference.



www.vintageair.com

## Important Wiring Notice—Please Read

*Some Vehicles May Have Had Some or All of Their Radio Interference Capacitors Removed. There Should Be a Capacitor Found At Each of the Following Locations:*

- 1. On the positive terminal of the ignition coil.**
- 2. If there is a generator, on the armature terminal of the generator.**
- 3. If there is a generator, on the battery terminal of the voltage regulator.**

Most alternators have a capacitor installed internally to eliminate what is called “whining” as the engine is revved. If whining is heard in the radio, or just to be extra cautious, a radio interference capacitor can be added to the battery terminal of the alternator.

It is also important that the battery lead is in good shape and that the ground leads are not compromised. There should be a heavy ground from the battery to the engine block, and additional grounds to the body and chassis.

If these precautions are not observed, it is possible for voltage spikes to be present on the battery leads. These spikes come from ignition systems, charging systems, and from switching some of the vehicle’s other systems on and off. Modern computer-operated equipment can be sensitive to voltage spikes on the power leads, which can cause unexpected resets, strange behavior, and/or permanent damage.

Vintage Air strives to harden our products against these types of electrical noise, but there is a point where a vehicle’s electrical system can be degraded so much that nothing can help.

Radio interference capacitors should be available at most auto and truck parts suppliers. They typically are cylindrical in shape, a little over an inch long, a little over a half inch in diameter, and they have a single lead coming from one end of the cylinder with a terminal on the end of the wire, as well as a mounting clip which is screwed into a good ground on the vehicle. The specific value of the capacitance is not too significant in comparison to ignition capacitors that are matched with the coil to reduce pitting of the points.

- Care must be taken, when installing the compressor lead, not to short it to ground. The compressor lead must not be connected to a condenser fan or to any other auxiliary device. Shorting to ground or connecting to a condenser fan or any other auxiliary device may damage wiring, the compressor relay, and/or cause a malfunction.
- When installing ground leads on Gen IV systems, the blower control ground and ECU ground must be connected directly to the negative battery post.
- For proper system operation, the heater control valve must be connected to the ECU.



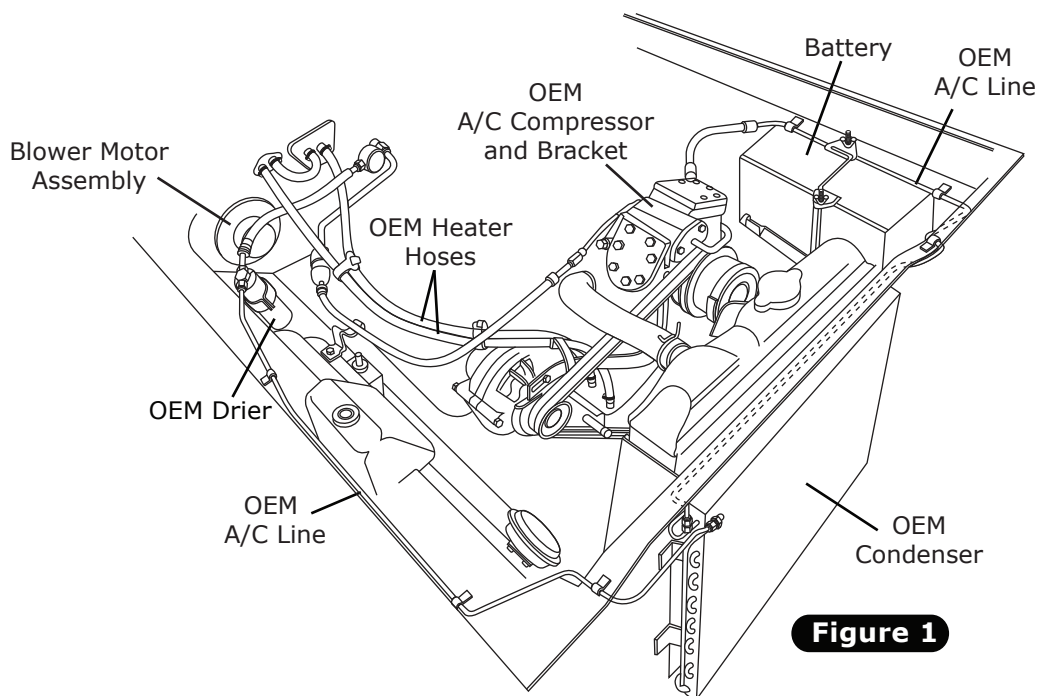
www.vintageair.com

## Engine Compartment Disassembly

**NOTE:** Before starting the installation, check the function of the vehicle (horn, lights, etc.) for proper operation, and study the instructions, illustrations, & diagrams.

### Perform the Following:

1. Disconnect battery.
2. Remove battery (retain).
3. Drain radiator.
4. Evacuate the A/C system if necessary.
5. Remove OEM condenser and drier (discard).
6. Remove OEM A/C lines from compressor to evaporator (discard).
7. Remove OEM heater hoses (discard).
8. Remove OEM A/C blower assembly (discard).
9. Remove OEM heater wiring (discard).
10. Remove A/C compressor and compressor bracket (discard).
11. Remove front passenger side wheel.



**Figure 1**

## Condenser Assembly and Installation

1. Refer to separate instructions included with the condenser kit to install the condenser.
2. Binary switch installation (Refer to condenser instructions).

## Compressor and Brackets

1. Refer to separate instructions included with the bracket kit to install the compressor bracket.

## Pulleys

1. In most instances, the belt lengths will remain the same.

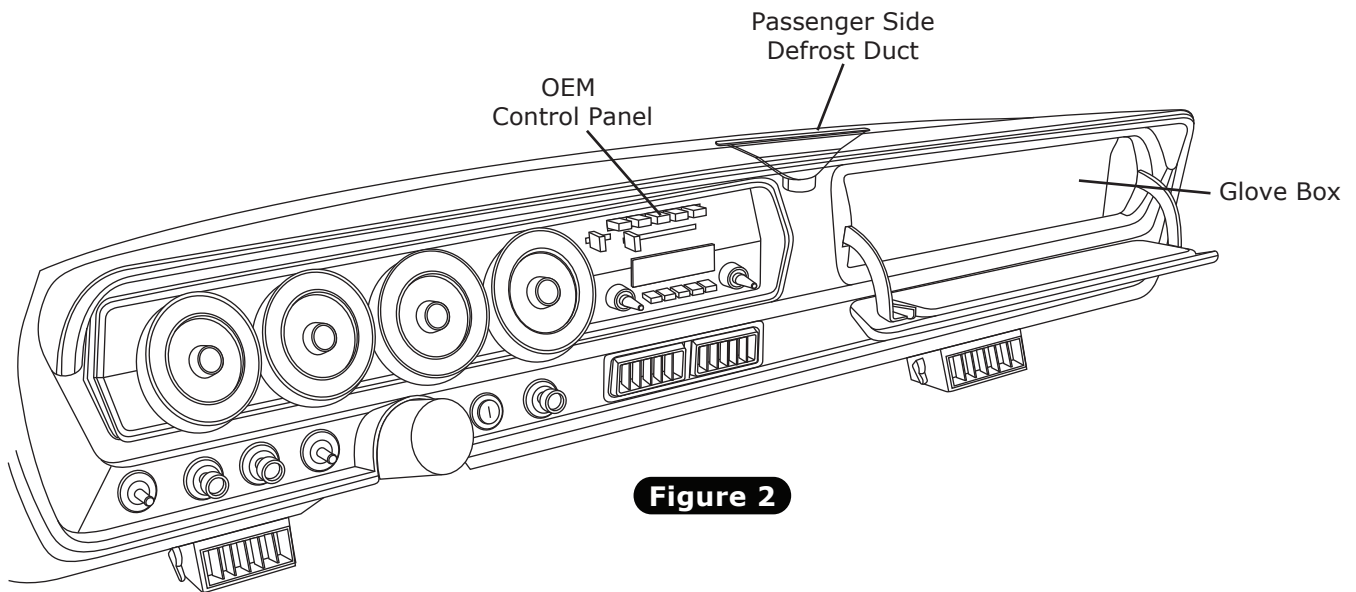


www.vintageair.com

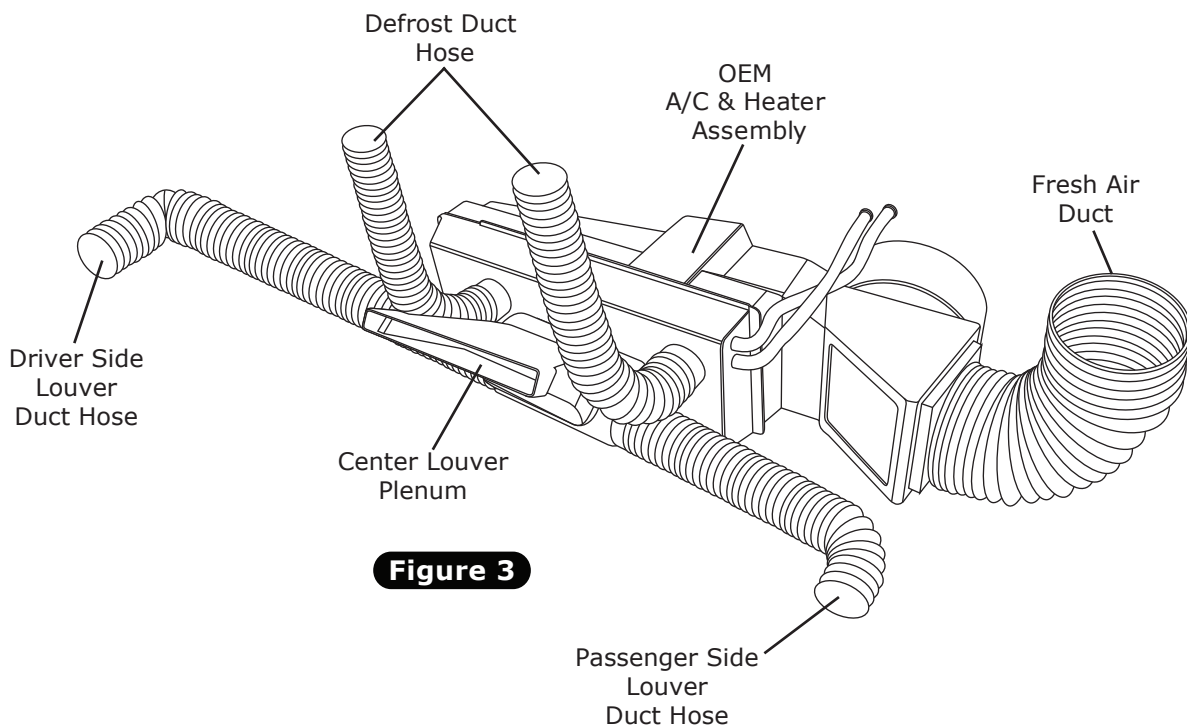
## Passenger Compartment Disassembly

### Perform the Following:

1. Remove glove box (discard, but retain OEM screws).
2. Disconnect all wires and cables from OEM control panel (discard).
3. Remove OEM control panel assembly (retain). Refer to control panel kit.
4. Remove OEM duct hoses from defrost ducts and driver and passenger side under dash louvers (discard).
5. Remove OEM passenger side defrost duct (discard, but retain OEM nuts).
6. Remove OEM A/C and heater assembly (discard).



**Figure 2**



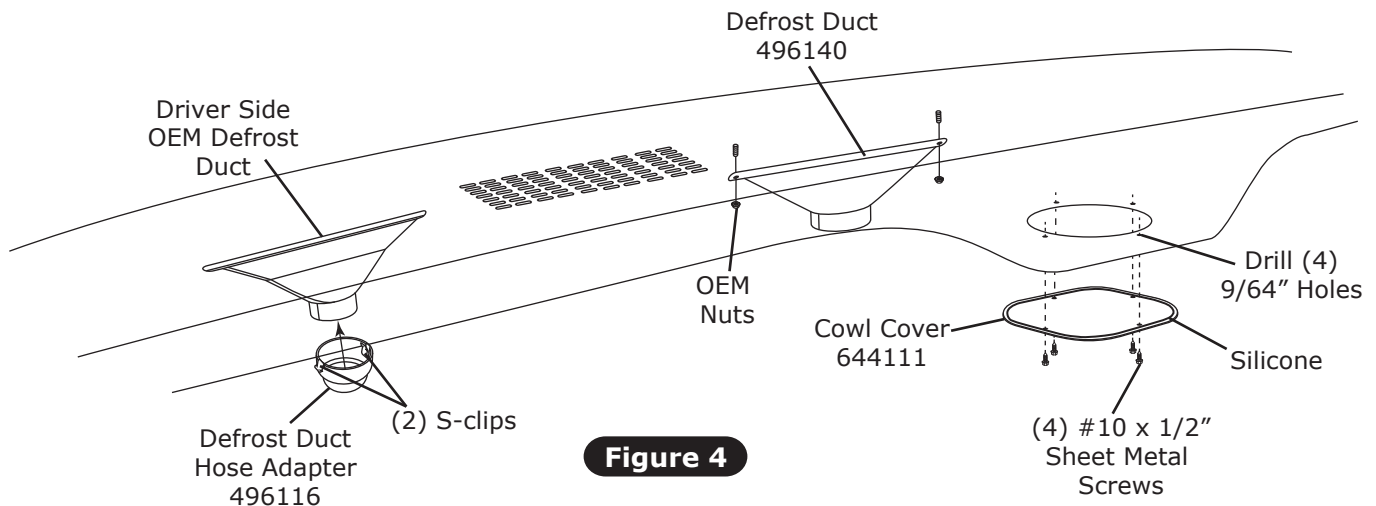
**Figure 3**



www.vintageair.com

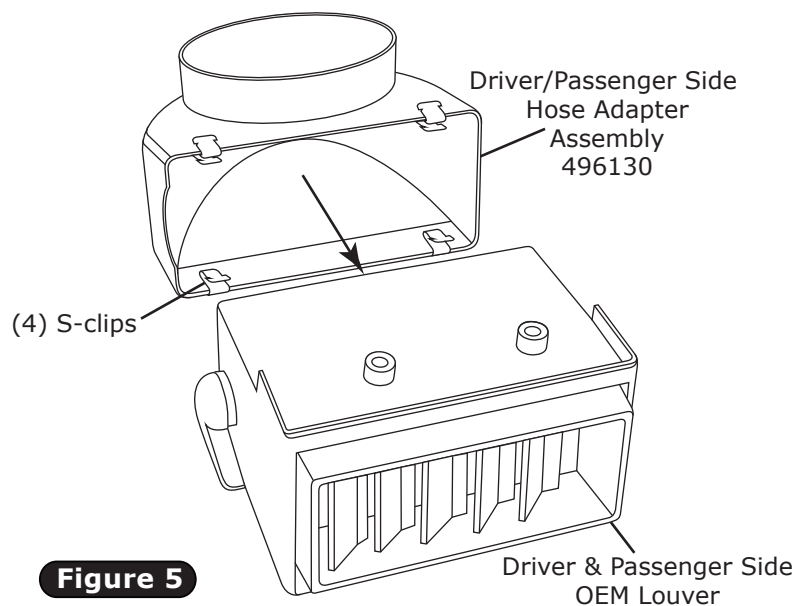
## Defrost Duct and Hose Adapter & Cowl Cover Installation

1. Install (2) S-clips onto defrost duct hose adapter (See Figure 4, below).
2. Install defrost duct hose adapter onto OEM driver side defrost duct as shown in Figure 4, below.
3. Install defrost duct on passenger side using OEM nuts as shown in Figure 4, below.
4. Hold cowl cover under dash and mark the (4) mounting holes.
5. Drill (4) 9/64" mounting holes under dash.
6. Apply a 1/4" bead of silicone around the back side of the cowl cover as shown in Figure 4, below.
7. Secure cowl cover to fresh air hole using (4) #10 x 1/2" sheet metal screws as shown in Figure 4, below.



## Driver and Passenger Side Hose Adapter Installation

1. Install (4) S-clips onto driver and passenger side louver hose adapters (See Figure 5, below).
2. Install driver and passenger side hose adapters onto OEM driver and passenger side louvers as shown in Figure 5, below.



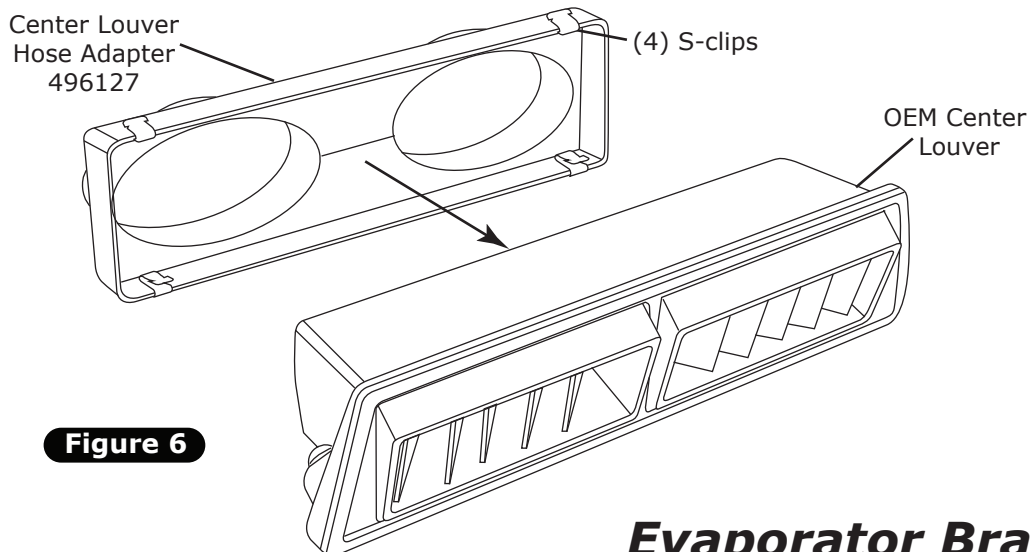




www.vintageair.com

## Center Louver Hose Adapter Installation

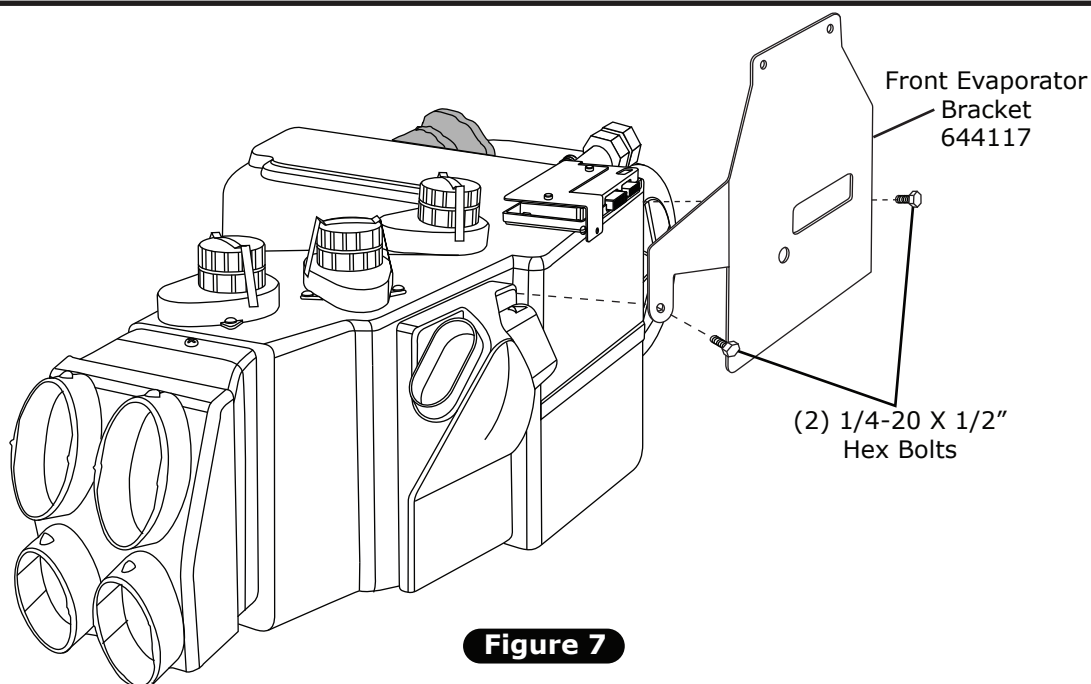
1. Install (4) S-clips onto center louver hose adapter (See Figure 6, below).
2. Install center louver hose adapter onto OEM center louver as shown in Figure 6, below.



**Figure 6**

## Evaporator Bracket, Evaporator Hardline & Heater Hose Fitting Installation

1. On a workbench, install evaporator rear bracket and heater hose fittings with properly lubricated O-rings (See Figure 8, Page 10, and Figure 14, Page 14).
2. Install front mounting bracket onto evaporator using (2) 1/4-20 x 1/2" hex bolts, and tighten (See Figure 7, below).

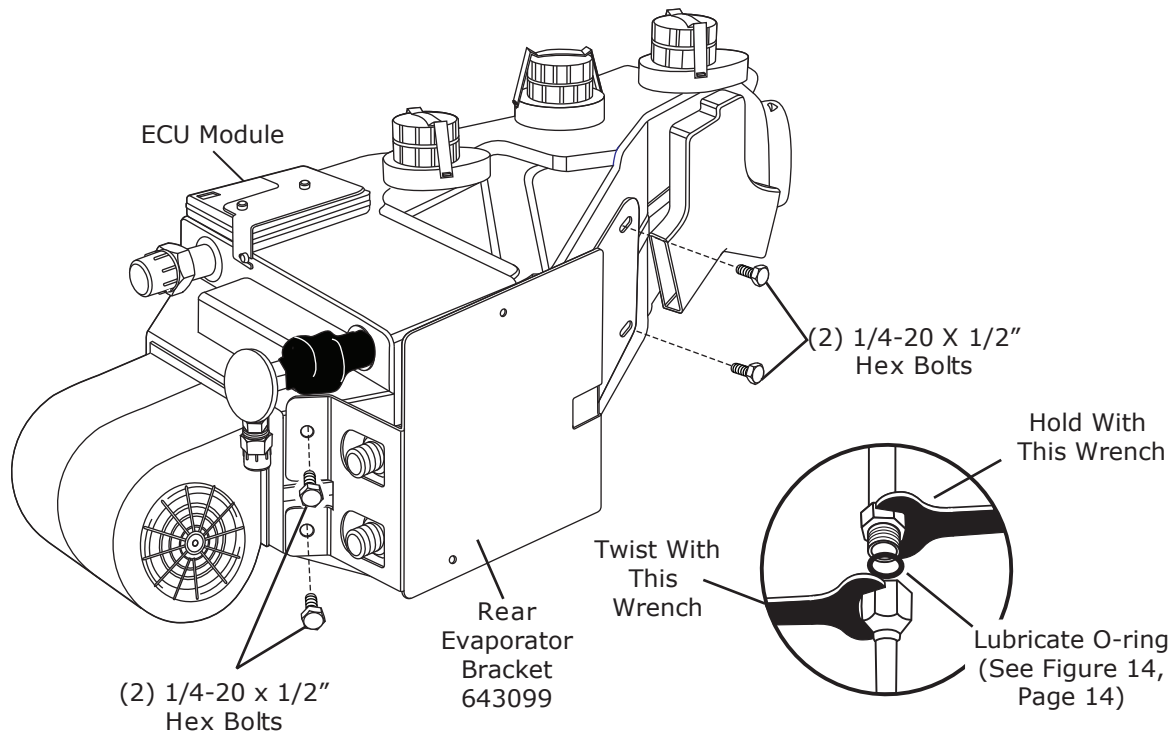


**Figure 7**

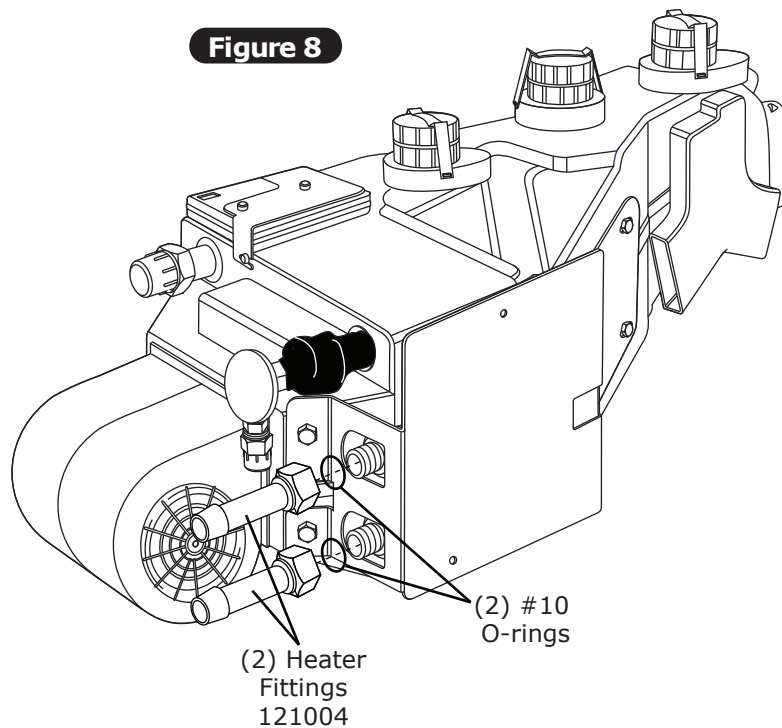


www.vintageair.com

# Evaporator Bracket, Evaporator Hardline & Heater Hose Fitting Installation (Cont.)



**Figure 8**

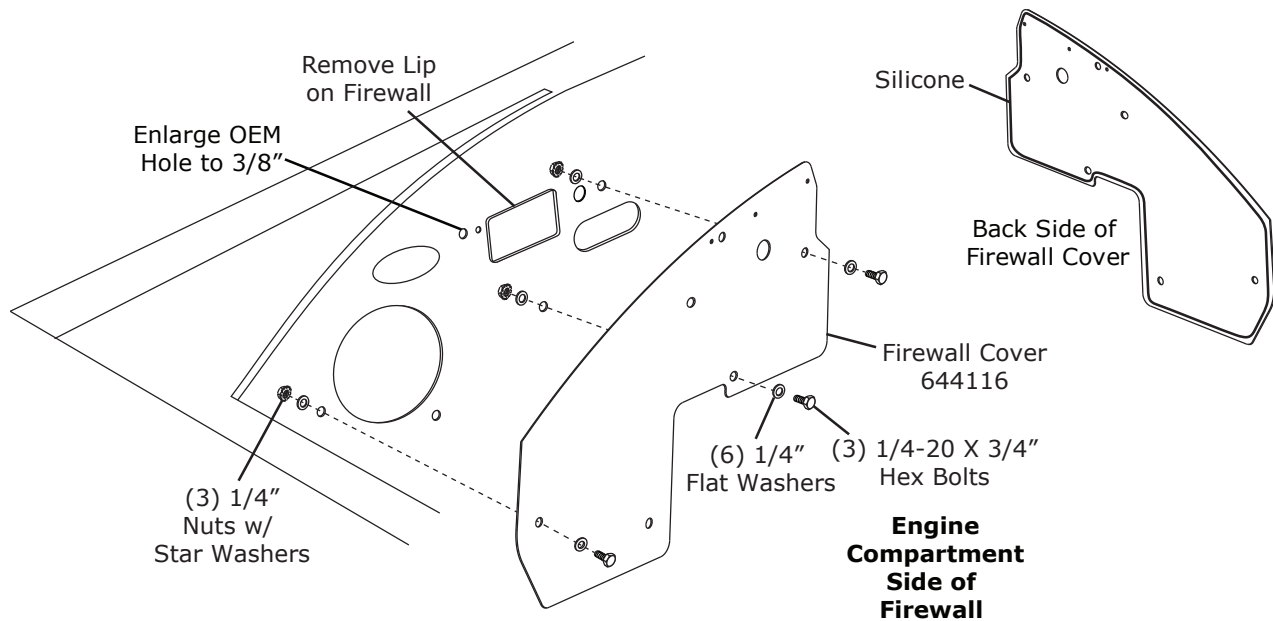




www.vintageair.com

## Firewall Cover Installation

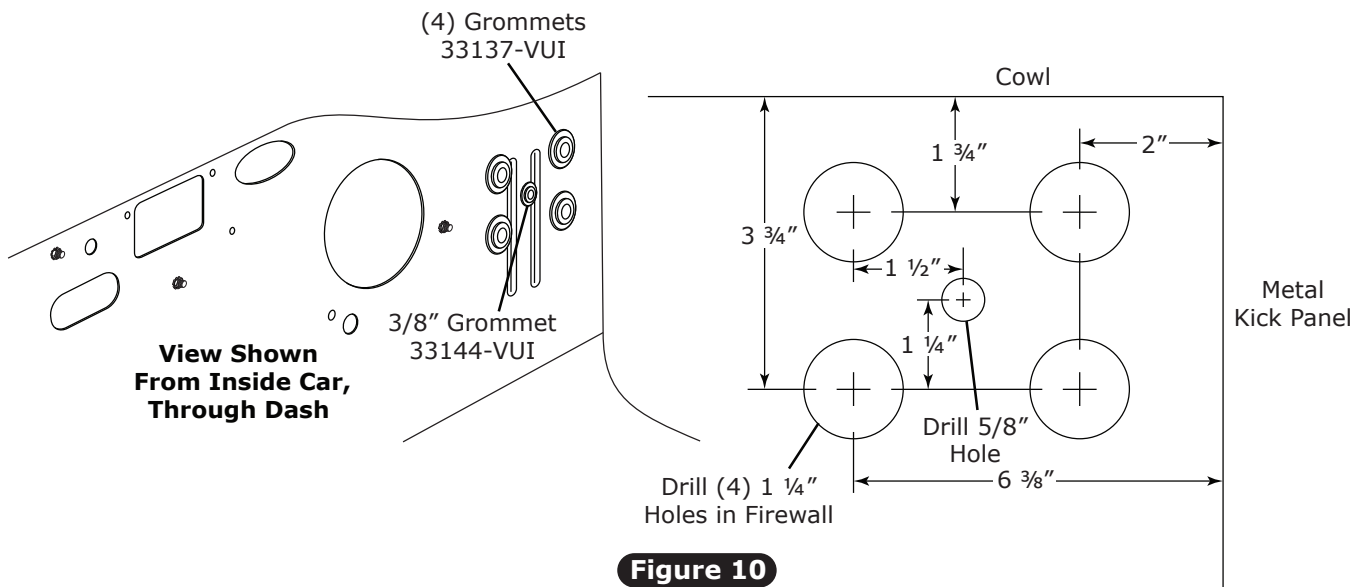
1. Remove lip on firewall (See Figure 9, below).
2. Enlarge OEM hole on firewall to 3/8" (See Figure 9, below).
3. Apply a 1/4" bead of silicone around the back side of the firewall cover as shown in Figure 9, below.
4. From the engine compartment, install firewall cover onto firewall and secure to firewall using (3) 1/4-20 x 3/4" hex bolts, (6) 1/4" flat washers and (3) 1/4" nuts w/ star washers as shown in Figure 9, below.



**Figure 9**

## Firewall Modification

1. Drill (4) 1 1/4" holes in firewall using measurements in Figure 10, below.
2. Drill 5/8" hole in firewall (See Figure 10, below).
3. Install grommets in firewall (See Figure 10, below).



**Figure 10**

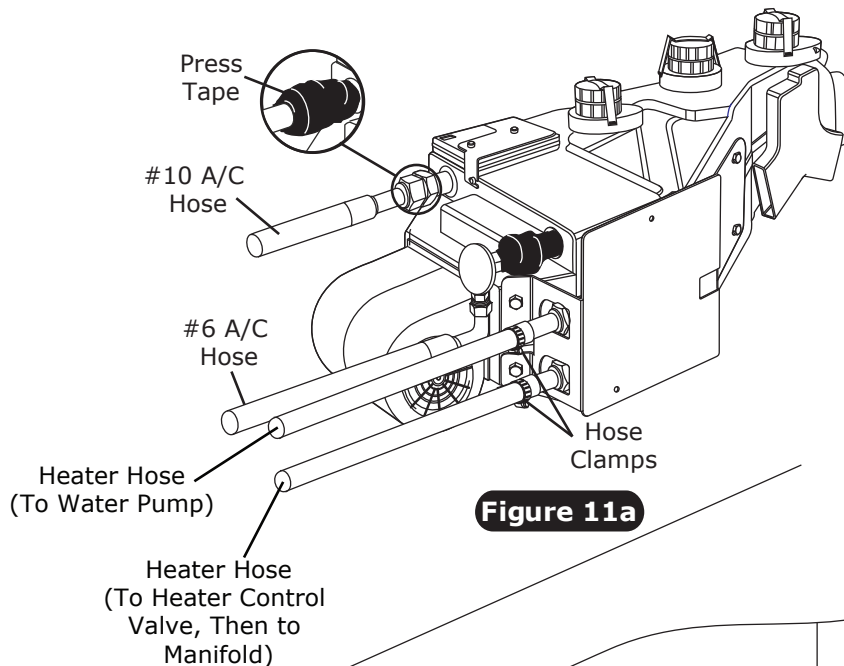


www.vintageair.com

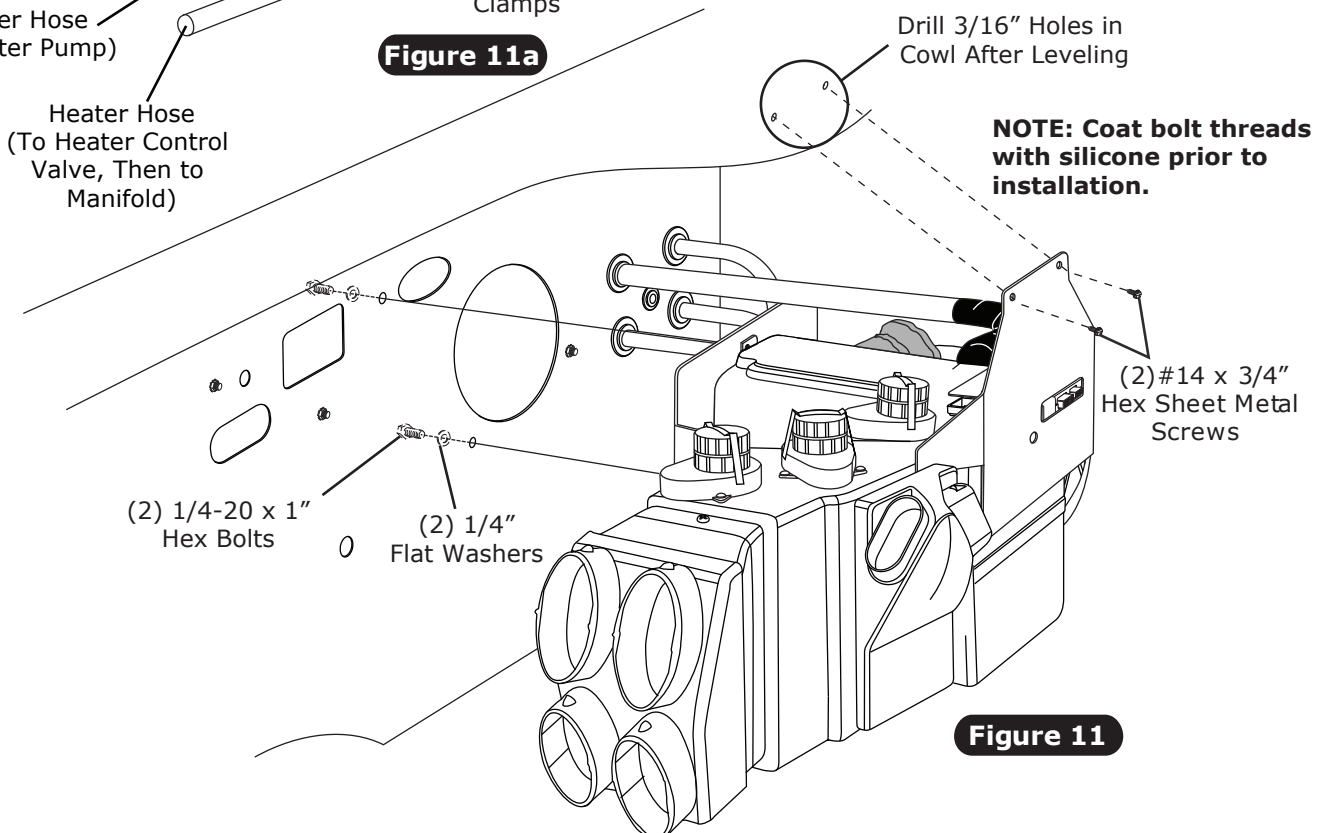
## Evaporator Installation

**NOTE: To ensure a watertight seal between the passenger compartment and the vehicle exterior, for all bolts passing through the firewall, Vintage Air recommends coating the threads with silicone prior to installation.**

1. Install A/C and heater hoses (See Figure 11a, below).
2. Lift evaporator unit up under the dashboard. Secure loosely to firewall using (2) 1/4-20 x 1" hex bolts and flat washers (See Figure 11, below). **NOTE: To ensure proper drainage, it is very important that the evaporator is level, both left-right and fore-aft. Check for level on the flat portions of the case around the drain.**
3. Using front evaporator bracket as a guide, mark and drill (2) 3/16" holes in cowl (See Figure 11, below).
4. Using (2) #14 x 3/4" hex sheet metal screws, secure the front evaporator mounting bracket to the cowl (See Figure 11, below).
5. Verify that evaporator unit is level and square to the dash; then tighten all mounting bolts. **NOTE: Tighten the bolt on the firewall first. Then tighten the front mounting bracket.**



**NOTE: After installing #10 suction line, wrap all exposed metal (fittings & tube) with supplied press tape.**

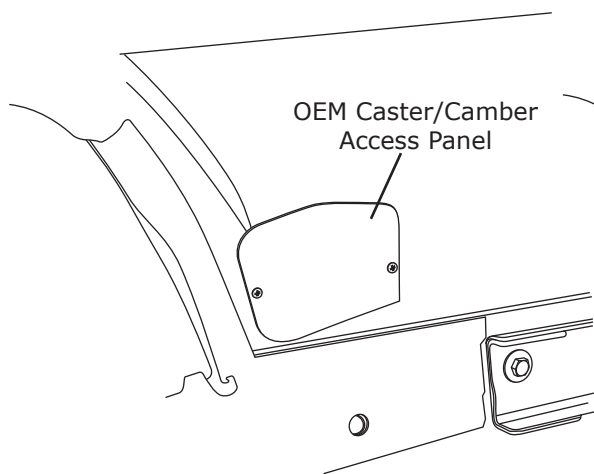




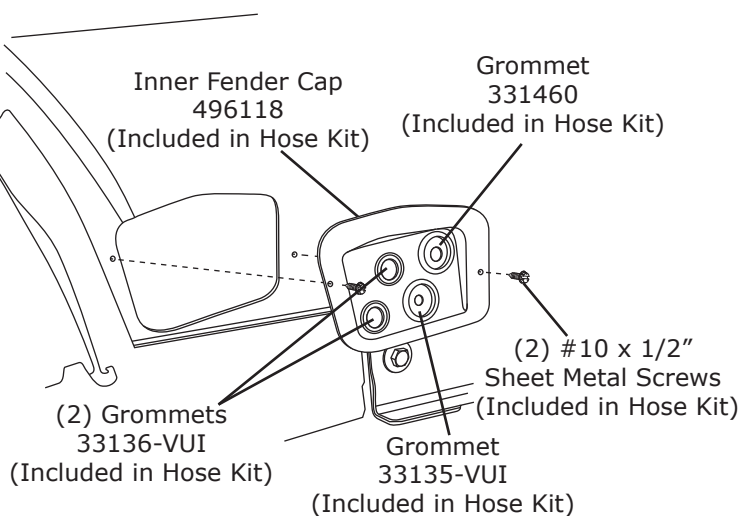
www.vintageair.com

## Inner Fender Cover & Hardline Installation

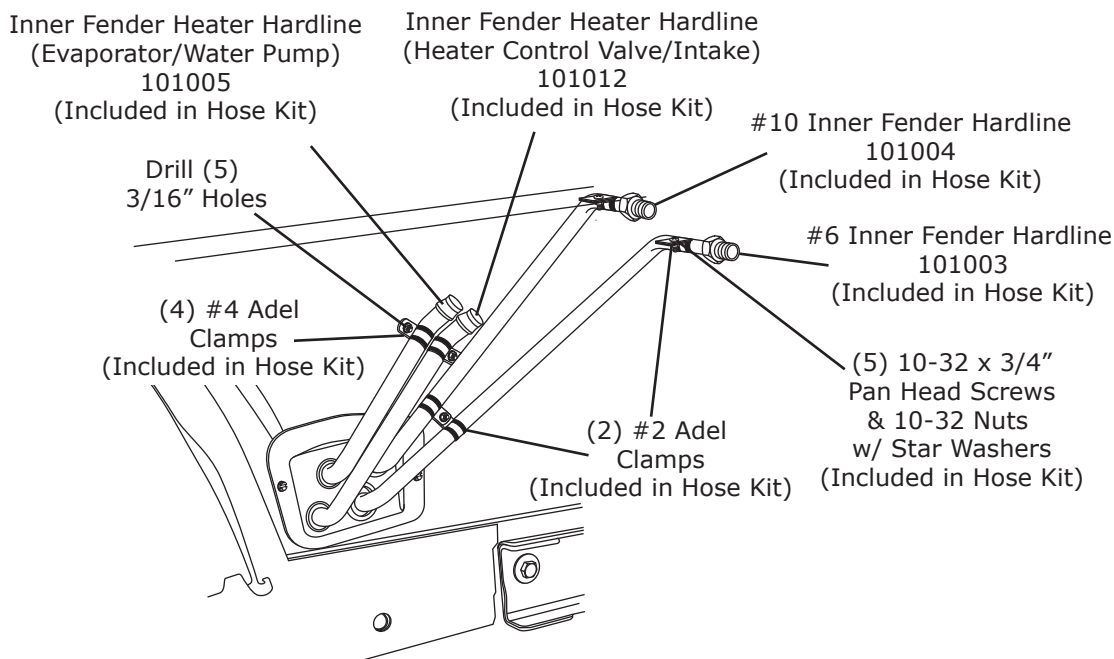
1. Remove OEM caster/camber access panel (discard) (See Figure 12, below).
2. Install (4) grommets in inner fender cap (See Figure 12a, below).
3. Install inner fender cap using (2) #10 x 1/2" sheet metal screws as shown in Figure 12a, below.
4. Install hardlines in inner fender cap as shown in Figure 12b, below.
5. Install Adel clamps onto hardlines as shown in Figure 12b, below.
6. Using Adel clamps as a guide, drill (5) 3/16" holes in inner fender. Secure Adel clamps and hardlines to inner fender using (5) 10-32 x 3/4" pan head screws and (5) 10-32 nuts with star washers as shown in Figure 12b, below.



**Figure 12**



**Figure 12a**



**Figure 12b**



www.vintageair.com

## Drain Hose Installation

1. Locate evaporator drain on bottom of evaporator case. In line with drain, measure 1" down and 2" to the left and drill a 5/8" hole through the firewall (See Figure 13, below).
2. Install drain hose to outlet on bottom of evaporator unit, and route through the firewall.
3. Install 1/2" drain elbow onto drain hose.

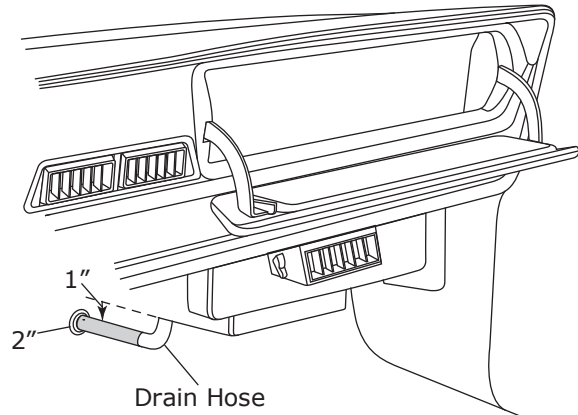
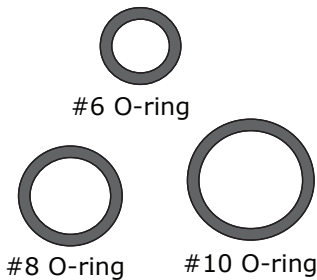
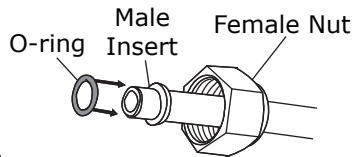


Figure 13

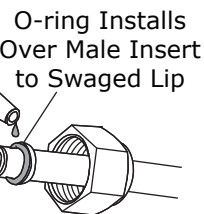
## Lubricating O-rings



**NOTE: Standard torque specifications:**  
**#6: 11 to 13 ft-lb.**  
**#8: 15 to 20 ft-lb.**  
**#10: 21 to 27 ft-lb.**



Supplied Oil  
for O-rings



**For a proper seal of fittings: Install supplied O-rings as shown, and lubricate with supplied oil.**

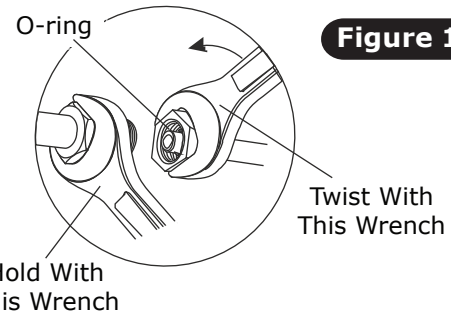


Figure 14

## A/C Hose Installation

### Standard Hose Kit:

1. Locate the #8 compressor A/C hose. Lubricate (2) #8 O-rings and connect the 90° female fitting to the #8 discharge port on the compressor. Then route the straight female fitting with R134a service port to the #8 condenser hardline coming over the core support. Tighten each fitting connection as shown in Figure 14, above.
2. Locate the #10 compressor A/C hose. Lubricate (2) #10 O-rings and connect the 45° fitting to the #10 suction port on the compressor. Route the 45° female fitting with R134a service port to the #10 hardline on the inner fender cap. Lubricate (2) #10 O-rings and connect the 90° female fitting in the wheel well to the #10 hardline on the inner fender cap. Then route the straight female fitting from the inner fender cap to the #10 fitting on the evaporator (See Figure 11a, Page 12 and Figure 15, Page 15). Tighten each fitting connection as shown in Figure 14, above.
3. Locate the #6 evaporator A/C hose. Lubricate (2) #6 O-rings and connect the straight female fitting to the #6 hardline coming over the core support from the drier. Route the straight female fitting to the #6 hardline on the inner fender cap. Lubricate (2) #6 O-rings and connect the 90° female fitting in the wheel well to the #6 hardline on the inner fender cap. Then route the 90° female fitting from the inner fender cap to the #6 fitting on the evaporator (See Figure 11a, Page 12 and Figure 15, Page 15). Tighten each fitting connection as shown in Figure 14, above.

### Modified Hose Kit:

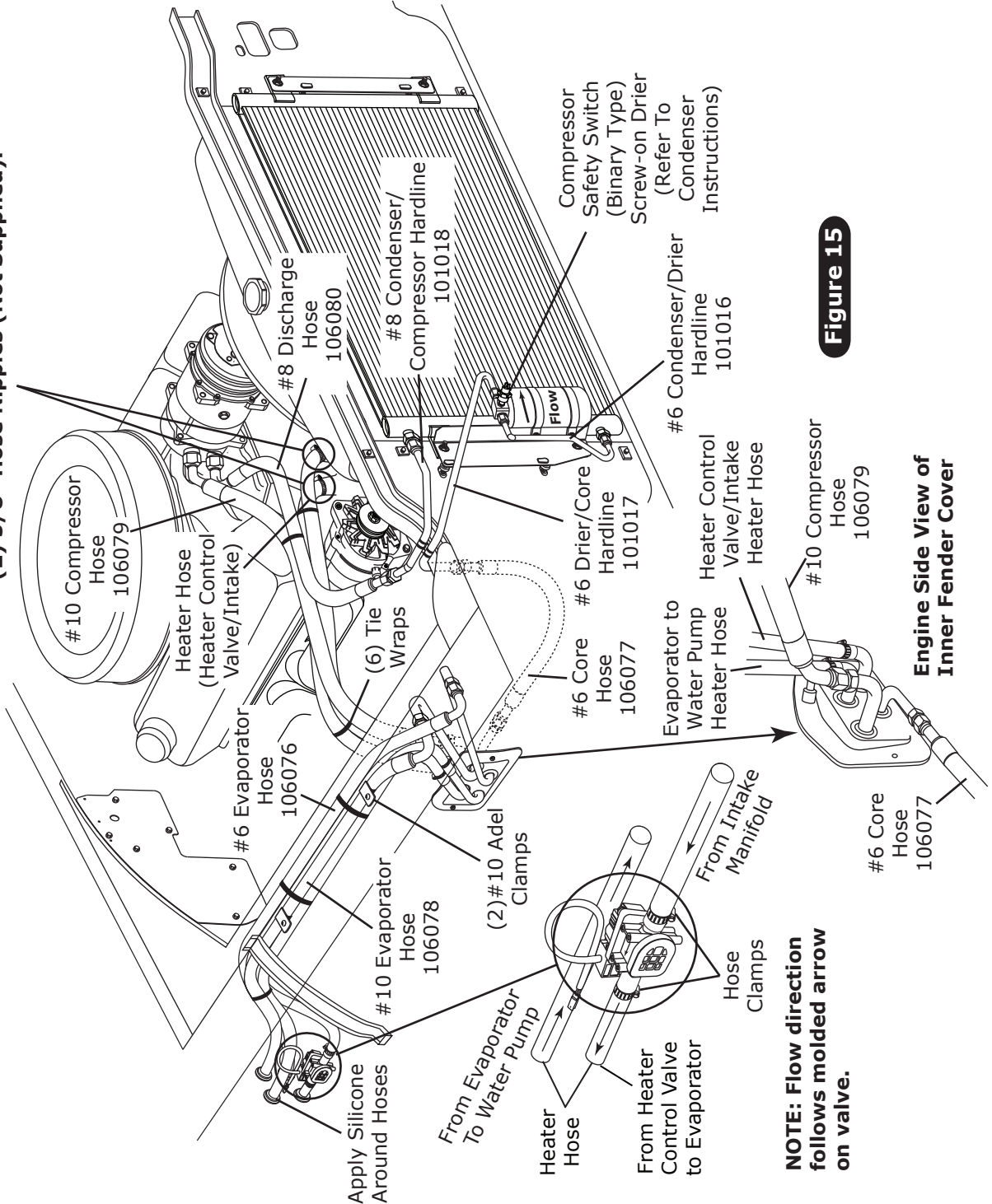
1. Refer to separate instructions included with modified hose kit.

# Heater Hose & Heater Control Valve Installation

1. In engine compartment, route a piece of heater hose from the water pump to the top heater fitting on the inner fender cap (See Figure 15, below). Secure using hose clamps.
2. In engine compartment, route a piece of heater hose from the intake to the bottom heater fitting on the inner fender cap (See Figure 15, below). Secure using hose clamps.
3. In wheel well, route a piece of heater hose from the top heater fitting on the inner fender cap to the top heater fitting of the heater core as shown in Figure 11a, Page 12, and Figure 15, below. Secure using hose clamps.
4. In wheel well, route a piece of heater hose from the bottom heater fitting on the inner fender cap to the bottom heater fitting of the heater core as shown in Figure 11a, Page 12, and Figure 15, below. Secure using hose clamps. **NOTE: Install heater control valve in line with intake manifold (pressure side) heater hose, and secure using hose clamps as shown in Figure 15, below. Also note proper flow direction.**
5. Apply a bead of silicone around each hose where it passes through the grommet in the wheel well (See Figure 15, below).

## A/C & Heater Hose Routing

**NOTE: Vintage Air Systems Require (2) 5/8" Hose Nipples (Not Supplied).**



**Figure 15**

**Engine Side View of Inner Fender Cover**

**NOTE: Flow direction follows molded arrow on valve.**



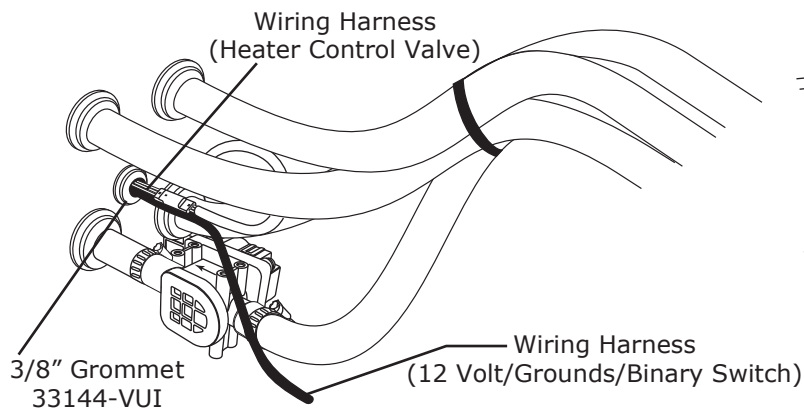
www.vintageair.com



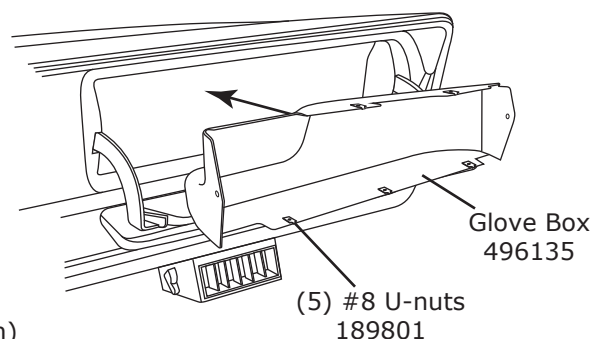
www.vintageair.com

## Final Steps

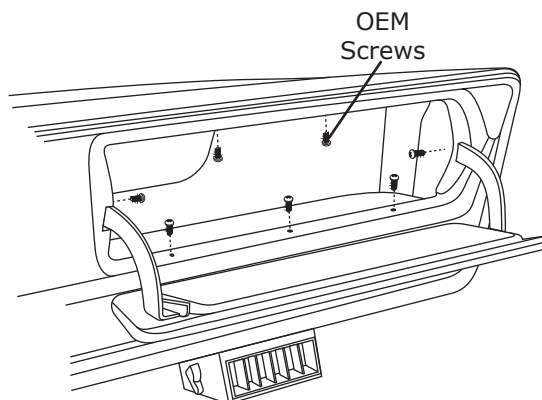
1. Install duct hoses as shown in Figure 18, Page 17.
2. Route A/C wires (12 volt/grounds/binary switch/heater valve) through 3/8" grommet (See Figure 16, below).
3. Install control panel assembly. Refer to control panel instructions.
4. Plug the wiring harnesses into the ECU module on the sub case (See Figure 18, Page 17). Wire according to wiring diagrams on Pages 18 and 19.
5. Install (5) #8 U-nuts on glove box, and install in glove box compartment (See Figure 17, below).
6. Secure glove box in glove box compartment using OEM screws (See Figure 17a, below).
7. Reinstall all previously removed items.
8. Fill radiator with at least a 50/50 mixture of approved antifreeze and distilled water. It is the owner's responsibility to keep the freeze protection at the proper level for the climate in which the vehicle is operated. Failure to follow antifreeze recommendations will cause heater core to corrode prematurely and possibly burst in A/C mode and/or freezing weather, voiding your warranty.
9. Double check all fittings, brackets and belts for tightness.
10. Vintage Air recommends that all A/C systems be serviced by a licensed automotive A/C technician.
11. Evacuate the system for a minimum of 45 minutes prior to charging, and perform a leak check prior to servicing.
12. Charge the system to the capacities stated on Page 4 of this instruction manual.
13. See Operation of Controls procedures on Page 20.



**Figure 16**



**Figure 17**



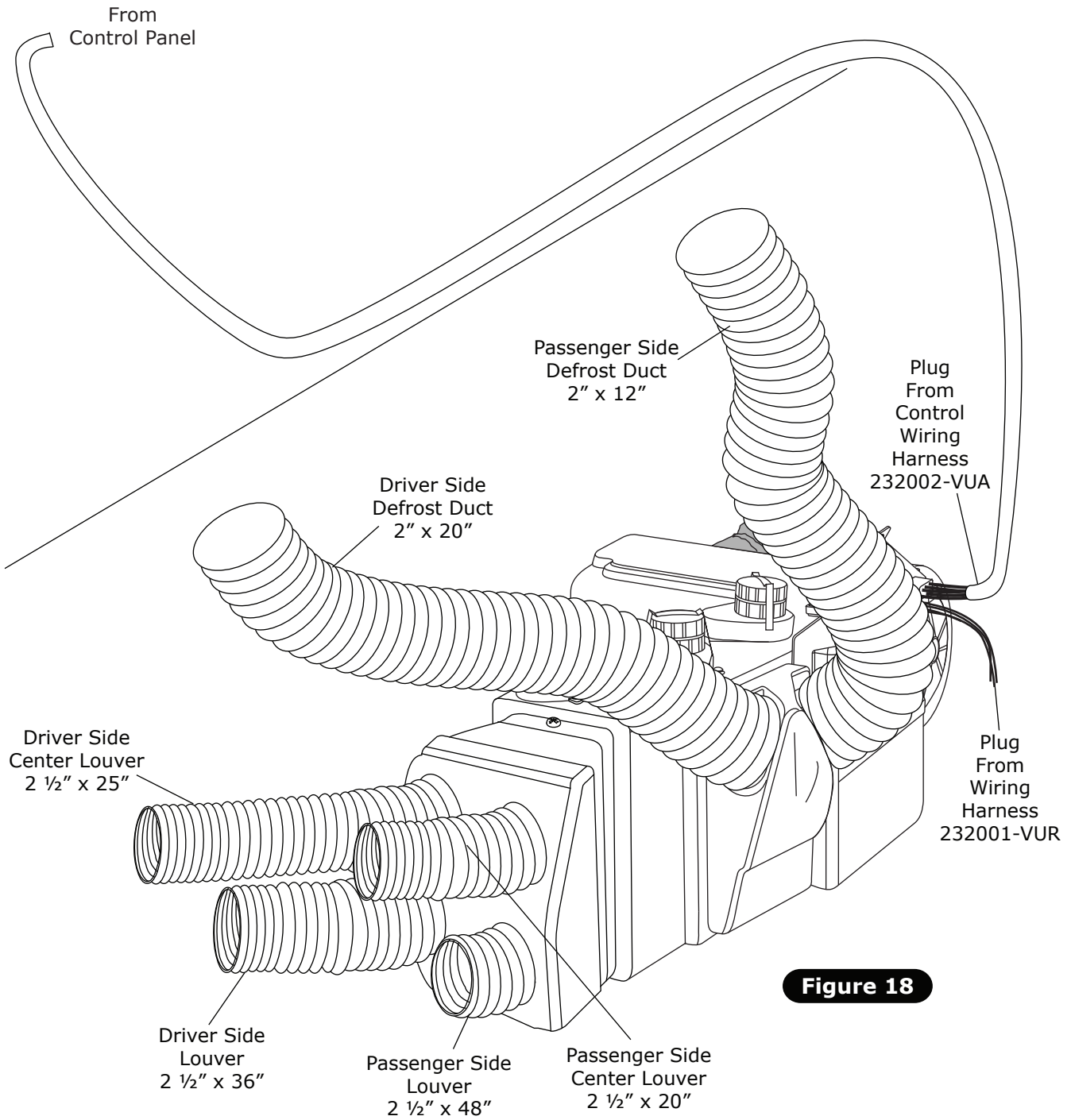
**Figure 17a**





www.vintageair.com

# Control Panel & Duct Hose Routing



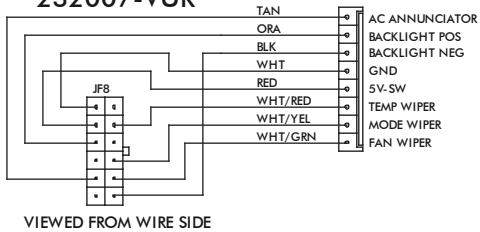
**Figure 18**



www.vintageair.com

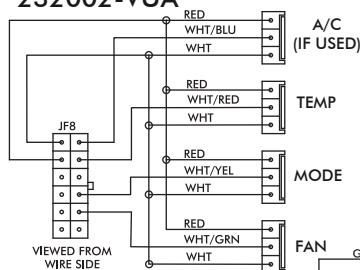
# Wiring Diagram

232007-VUR



VIEWED FROM WIRE SIDE

232002-VUA

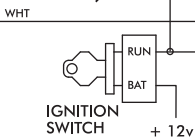


VIEWED FROM WIRE SIDE

PROGRAM

N/A  
\* DASH LAMP  
(IF USED)

\*\*\* WIDE OPEN  
THROTTLE SWITCH  
(OPTIONAL)

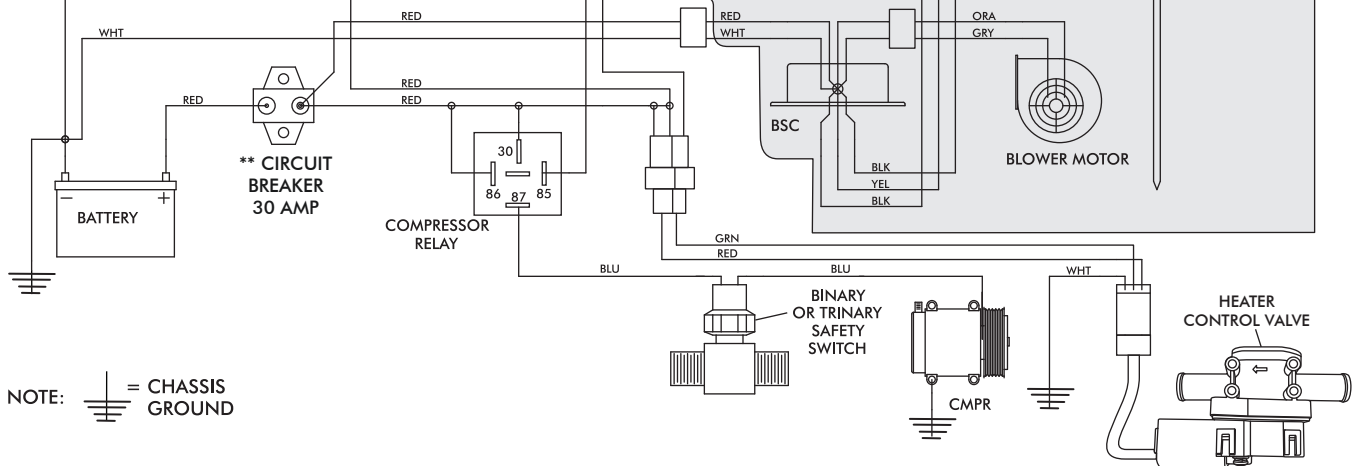
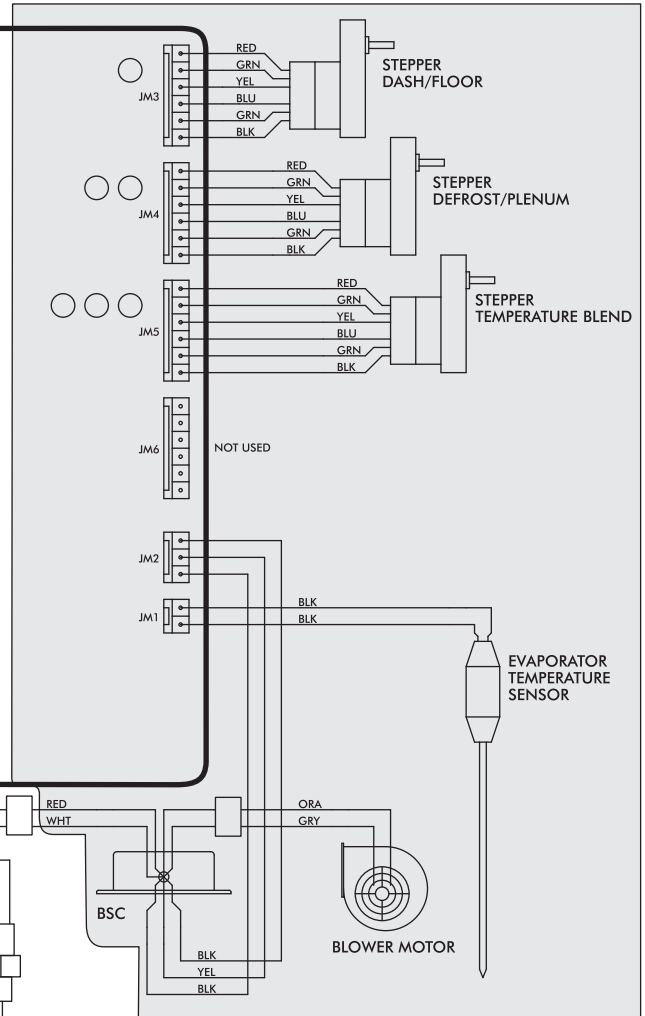


IGNITION SWITCH +12v

GEN IV ECU

GEN IV WIRING DIAGRAM  
REV D, 5/6/2014

PRE-WIRED



NOTE: = CHASSIS GROUND

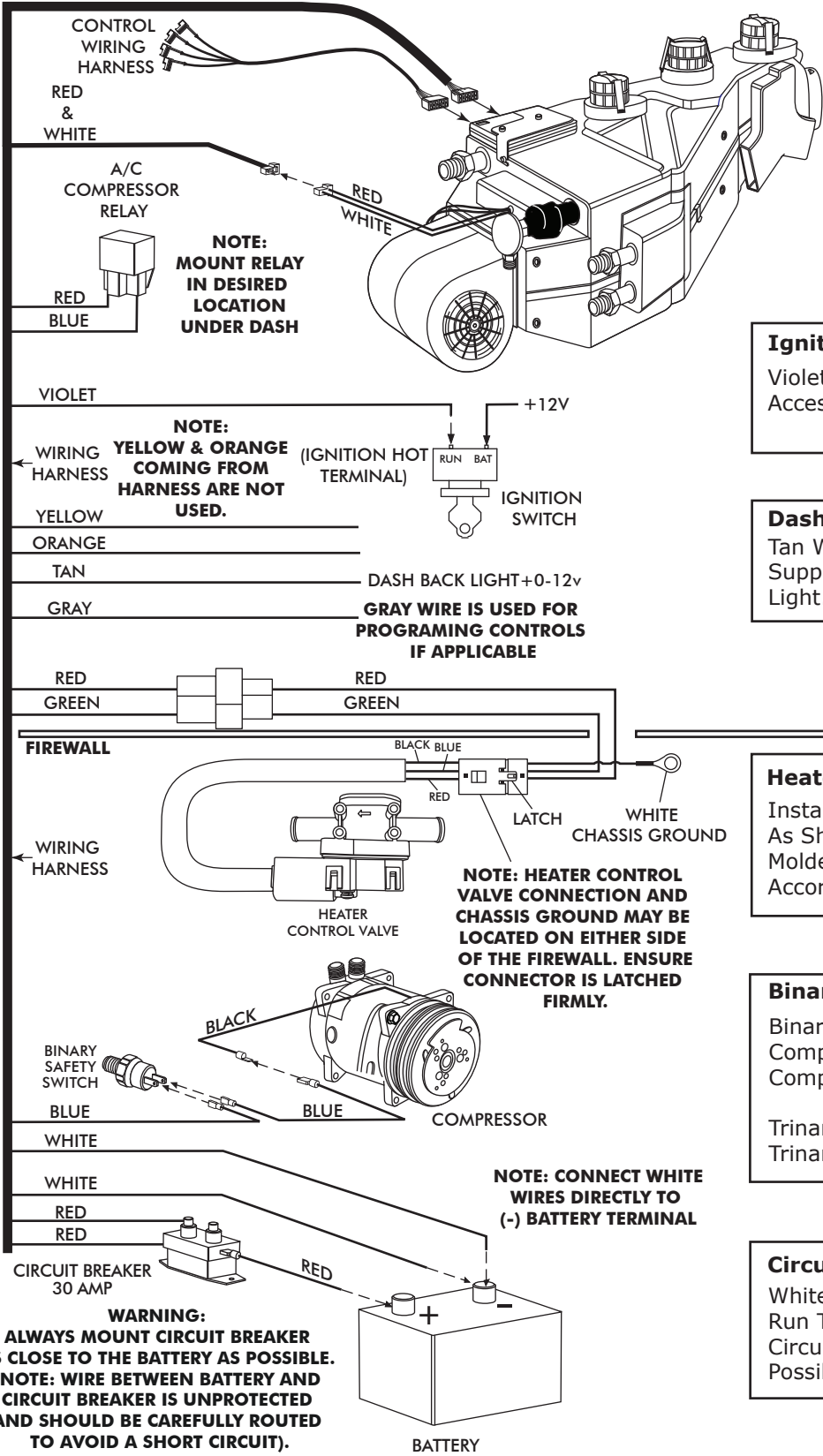
- Dash Lamp Is Used Only With Type 232007-VUR Harness.
- **Warning:** Always Mount Circuit Breaker As Close to the Battery As Possible. (NOTE: Wire Between Battery and Circuit Breaker Is Unprotected and Should Be Carefully Routed to Avoid a Short Circuit).
- Wide Open Throttle Switch Contacts Close Only at Full Throttle, Which Disables A/C Compressor.



www.vintageair.com

WIRING HARNESS

# Gen IV Wiring Connection Instruction



**NOTE:**  
MOUNT RELAY  
IN DESIRED  
LOCATION  
UNDER DASH

**NOTE:**  
YELLOW & ORANGE  
COMING FROM  
HARNESS ARE NOT  
USED.

**GRAY WIRE IS USED FOR  
PROGRAMMING CONTROLS  
IF APPLICABLE**

**NOTE: HEATER CONTROL  
VALVE CONNECTION AND  
CHASSIS GROUND MAY BE  
LOCATED ON EITHER SIDE  
OF THE FIREWALL. ENSURE  
CONNECTOR IS LATCHED  
FIRMLY.**

**NOTE: CONNECT WHITE  
WIRES DIRECTLY TO  
(-) BATTERY TERMINAL**

**WARNING:**  
ALWAYS MOUNT CIRCUIT BREAKER  
AS CLOSE TO THE BATTERY AS POSSIBLE.  
(NOTE: WIRE BETWEEN BATTERY AND  
CIRCUIT BREAKER IS UNPROTECTED  
AND SHOULD BE CAREFULLY ROUTED  
TO AVOID A SHORT CIRCUIT).

**Ignition Switch:**  
Violet 12V Ign Switch Source (Key On Accessory) Position Must Be Switched.

**Dash Light:**  
Tan Wire Used Only With Vintage Air Supplied Control Panel With LED Back Light.

**Heater Control Valve:**  
Install With Servo Motor Facing Down, As Shown. Note Flow Direction Arrow Molded Into Valve Body, And Install Accordingly.

**Binary/Trinary & Compressor:**  
Binary: Connect As Shown (Typical Compressor Wiring). Be Sure Compressor Body Is Grounded.  
Trinary Switch: Connect According To Trinary Switch Wiring Diagram.

**Circuit Breaker/Battery:**  
White **Must** Run To (-) Battery. Red May Run To (+) Battery Or Starter. Mount Circuit Breaker As Close to Battery As Possible.



www.vintageair.com

## Operation of Controls

On Gen IV systems with three lever/knob controls, the temperature control toggles between heat and A/C operations. To activate A/C, move the temperature lever/knob all the way to cold and then back it off to the desired vent temperature. For heat operation, move the temperature lever/knob all the way to hot and then adjust to the desired vent temperature. The blower will momentarily change speed, each time you toggle between operations, to indicate the change.

### **Blower Speed**

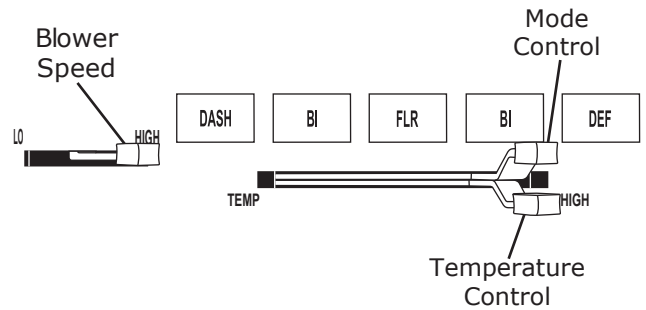
This lever/knob controls blower speed, from OFF to HI.

### **Mode Control**

This lever/knob controls the mode positions, from DASH to FLOOR to DEFROST, with a blend in between.

### **Temperature Control**

This lever/knob controls the temperature, from HOT to COLD.



## A/C Operation

### **Blower Speed**

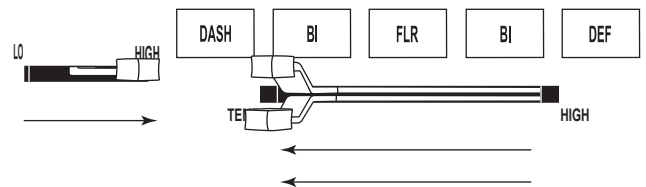
Adjust to desired speed.

### **Mode Control**

Adjust to desired mode position (DASH position recommended).

### **Temperature Control**

For A/C operation, adjust to coldest position to engage compressor (Adjust between HOT and COLD to reach desired temperature).



## Heat Operation

### **Blower Speed**

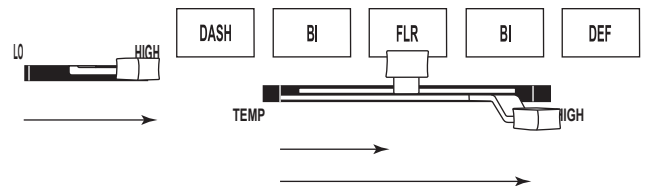
Adjust to desired speed.

### **Mode Control**

Adjust to desired mode position (FLOOR position recommended).

### **Temperature Control**

For maximum heating, adjust to hottest position (Adjust between HOT and COLD to reach desired temperature).



## Defrost/De-fog Operation

### **Blower Speed**

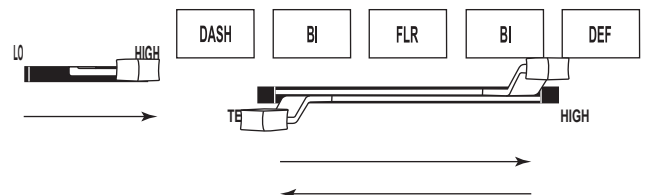
Adjust to desired speed.

### **Temperature Control**

Adjust to desired temperature.

### **Mode Control**

Adjust to DEFROST position for maximum defrost, or between FLOOR and DEFROST positions for a bi-level blend (Compressor is automatically engaged).





www.vintageair.com

# Troubleshooting Guide

Symptom	Condition	Checks	Actions	Notes
1a. Blower stays on high speed when ignition is on.	No other functions work.	Check for damaged pins or wires in control head plug.	Verify that all pins are inserted into plug. Ensure that no pins are bent or damaged in ECU.	Loss of ground on this wire renders control head inoperable.  See blower switch check procedure.
		Check for damaged ground wire (white) in control head harness.	Verify continuity to chassis ground with white control head wire at various points.	
		Check for damaged blower switch or potentiometer and associated wiring.		
1b. Blower stays on high speed when ignition is on or off.	All other functions work.	Unplug 3-wire BSC control connector from ECU. If blower shuts off, ECU is either improperly wired or damaged.	Be sure the small, 20 GA white ground wire is connected to the battery ground post. If it is, replace the ECU.	No other part replacements should be necessary.
		Unplug 3-wire BSC control connector from ECU. If blower stays running, BSC is either improperly wired or damaged.	Check to ensure that no BSC wiring is damaged or shorted to vehicle ground. The BSC operates the blower by ground side pulse width modulation switching. The positive wire to the blower will always be hot. If the "ground" side of the blower is shorted to chassis ground, the blower will run on HI.	
			Replace BSC (This will require removal of evaporator from vehicle).	
2. Compressor will not turn on (All other functions work).	System is not charged.	System must be charged for compressor to engage.	Charge system or bypass pressure switch.	<b>Danger: Never bypass safety switch with engine running. Serious injury can result.</b>  To check for proper pot function, check voltage at white/blue wire. Voltage should be between 0V and 5V, and will vary with pot lever position.  Disconnected or faulty thermistor will cause compressor to be disabled.  Red wire at A/C pot should have approximately 5V with ignition on. White wire will have continuity to chassis ground. White/Blue wire should vary between 0V and 5V when lever is moved up or down.
		Check for faulty A/C potentiometer or associated wiring (Not applicable to 3-pot controls).	Check continuity to ground on white control head wire. Check for 5V on red control head wire.	
		Check for disconnected or faulty thermistor.	Check 2-pin connector at ECU housing.	
			Repair or replace pot/control wiring.	
			Replace relay.	
3. Compressor will not turn off (All other functions work).	System is charged.	Check for faulty A/C potentiometer or associated wiring.	Repair or replace pot/control wiring.	Replace relay.
		Check for faulty A/C relay.	Replace relay.	



www.vintageair.com

# Troubleshooting Guide (Cont.)

Symptom	Condition	Checks	Actions	Notes
4. System will not turn on, or runs intermittently.	Works when engine is not running; shuts off when engine is started (Typically early Gen IV, but possible on all versions).	Noise interference from either ignition or alternator.	Install capacitors on ignition coil and alternator. Ensure good ground at all points. Relocate coil and associated wiring away from ECU and ECU wiring. Check for burned or loose plug wires.	Ignition noise (radiated or conducted) will cause the system to shut down due to high voltage spikes. If this is suspected, check with a quality oscilloscope. Spikes greater than 16V will shut down the ECU. Install a radio capacitor at the positive post of the ignition coil (See radio capacitor faulty alternator or worn out battery can also result in this condition.
	Will not turn on under any conditions.	Verify connections on power lead, ignition lead, and both white ground wires.	Check for positive power at heater valve green wire and blower red wire. Check for ground on control head white wire.	
		Verify battery voltage is greater than 10 volts and less than 16.	Verify proper meter function by checking the condition of a known good battery.	
5. Loss of mode door function.	No mode change at all.	Check for damaged mode switch or potentiometer and associated wiring.		Typically caused by evaporator housing installed in a bind in the vehicle. Be sure all mounting locations line up and don't have to be forced into position.
	Partial function of mode doors.	Check for obstructed or binding mode doors. Check for damaged stepper motor or wiring.		
6. Blower turns on and off rapidly.	Battery voltage is at least 12V.	Check for at least 12V at circuit breaker.	Ensure all system grounds and power connections are clean and tight.	System shuts off blower at 10V. Poor connections or weak battery can cause shutdown at up to 11V.
	Battery voltage is less than 12V.	Check for faulty battery or alternator.	Charge battery.	
7. Erratic functions of blower, mode, temp, etc.		Check for damaged switch or pot and associated wiring.	Repair or replace.	
	When ignition is turned on, blower momentarily comes on, then shuts off. This occurs with the blower switch in the OFF position.	This is an indicator that the system has been reset. Be sure the red power wire is on the battery post, and not on a switched source. Also, if the system is pulled below 7V for even a split second, the system will reset.	Run red power wire directly to battery.	





www.vintageair.com

# Packing List

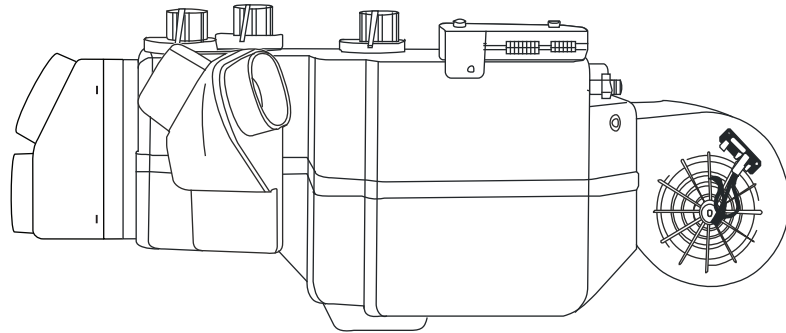
## Evaporator Kit (571067)

No.	Qty.	Part No.	Description
1.	1	744004-VUE	Gen IV Evaporator Sub Case w/ 204 ECU
2.	1	781078	Accessory Kit

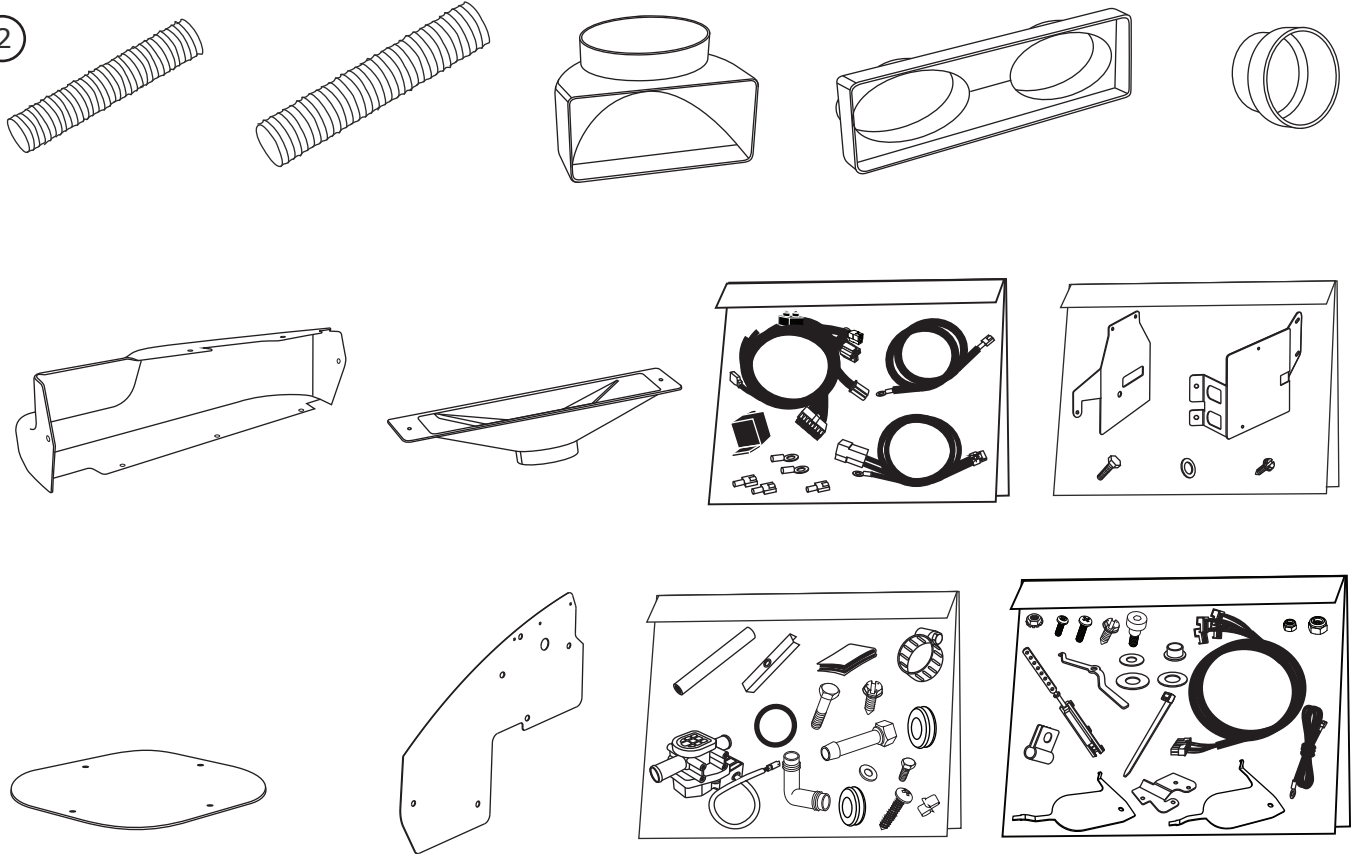
Checked By: \_\_\_\_\_  
 Packed By: \_\_\_\_\_  
 Date: \_\_\_\_\_

1

**Gen IV Evaporator  
 Sub Case w/ 204 ECU  
 744004-VUE**



2



**Accessory Kit  
 781078**

**NOTE: Images may not depict actual parts and quantities.  
 Refer to packing list for actual parts and quantities.**